

BENTO area

FLOODLIGHTS | BENTO AREA



Zhaga
standard



www.ragnicom



- ▶ **Smart City compatibility.**
- ▶ **Available in 3 sizes.**
- ▶ **IP66 double compartment.**

Made of aluminum and featuring symmetrical lines, Bento Area is a floodlight with a minimalist design which is available in 3 sizes. It is equipped with a protection in tempered glass IK08 or in polycarbonate treated anti-UV IK10 and is totally IP66. With optimised photometries in 3000 K and 4000 K, it is specially designed for sports lighting, car parks and tertiary areas. Fixed laterally with a curved yoke, it can be installed on crossbars and crowns as well as on facades. The Bento Area is Zhaga D4i certified.

*Regulation specific to France: Decree of 27/12/2018 relating to the prevention, reduction and limitation of light nuisance: product configuration to be defined according to the nature of the project.

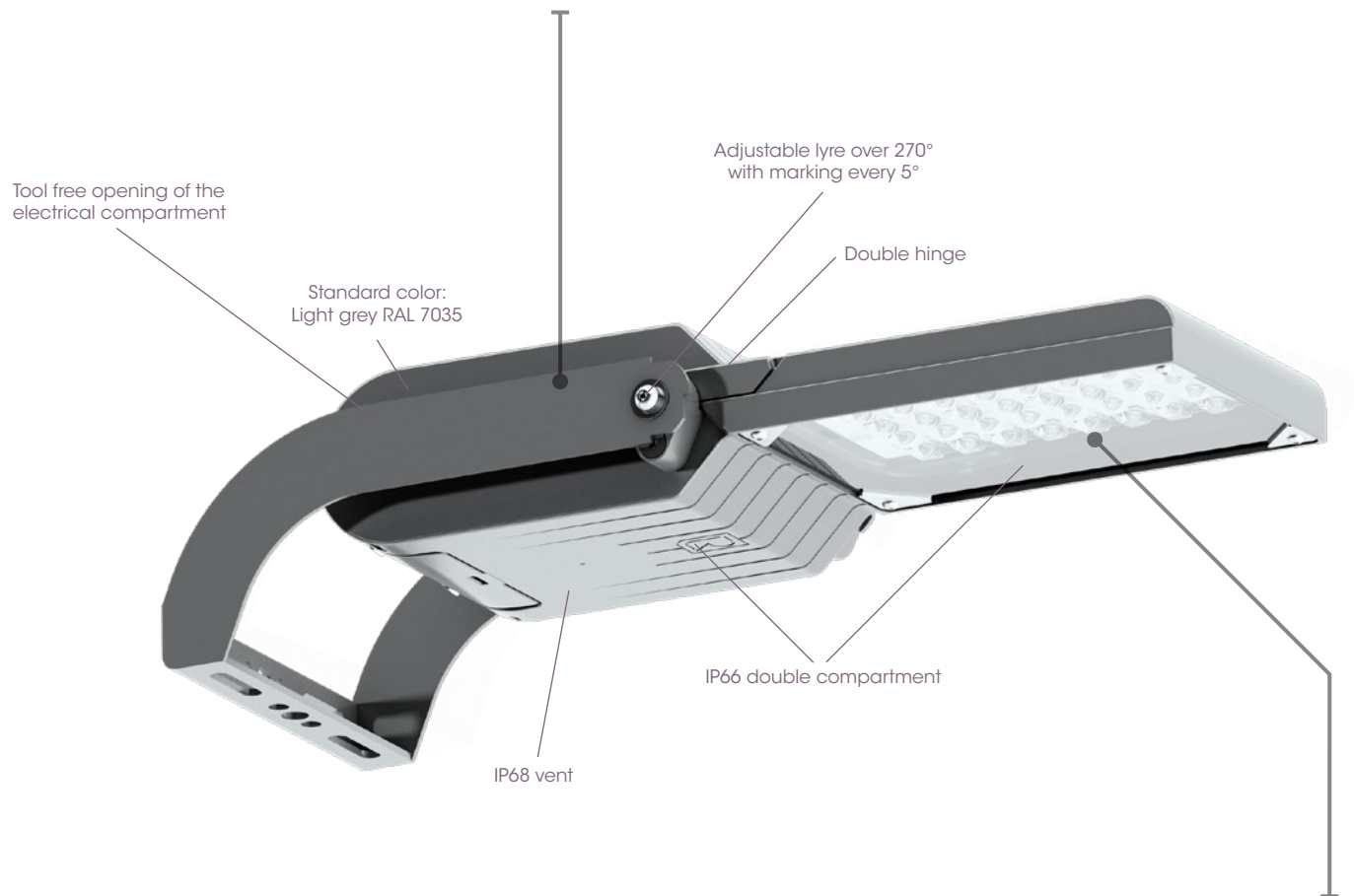
09/07/2024 - All informations are subject to change without notice.

BENTO area S

FLOODLIGHT'S SPECIFICATIONS

Floodlight's body

Weight	6.5 kg
Aerodynamic coefficient (C_{xS})	0° = 0.038 m ² / 5° = 0.049 m ² / 20° = 0.061 m ²
Protection index	IP66
Materials	Aluminium



Optical unit & control gear

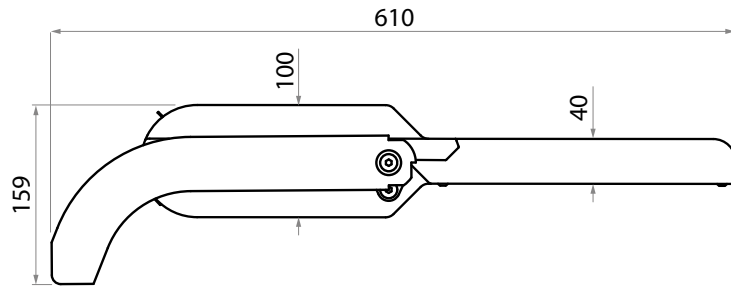
From 12 to 32 LED PCB - From 1100 to 13700 lm (see attached Bento Area datasheet for details on power, light intensities and available photometries). Integrated smart driver (control, automatic adjustment, CLO, graduation via voltage variation, DALI or Zhaga D4i).

Materials	Tempered glass
Electric class	I and II
Protection index	IP66
Shock resistance	IK10

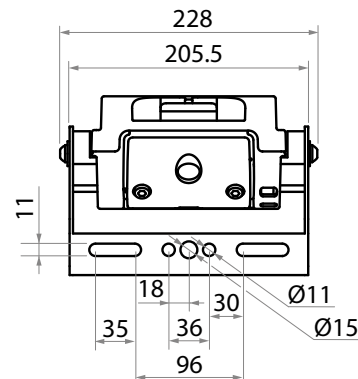
Operating temperature: -40°C to +35°C (up to +50° under conditions).

09/07/2024 - All informations are subject to change without notice.

Dimensions (mm)

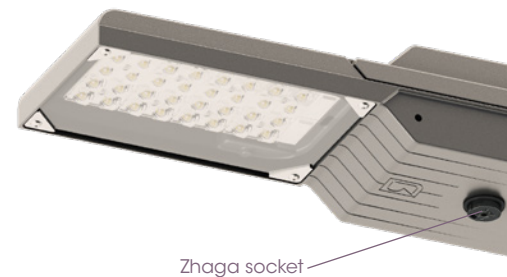


Installation note
Verify the compliance of the lighting project with the decree on light nuisance according to the inclination.



Options

- Pre-wiring.
- Surge protector.
- Zhaga or Nema socket on top of the luminaire to connect OLC or photocell. Zhaga socket at the bottom of the luminaire to add accessories such as sensors.
- NTC sensor.
- Safety hook.



Ecodesign

Luminaire designed in compliance with the environmental criteria of energy efficiency, recyclability and interoperability.

Associate member of the Zhaga consortium, Ragni integrates electronic elements in this product that comply with the Zhaga standard, which ensures its scalability and interoperability. This luminaire is Zhaga D4i certified.

Member of the Global Compact since 2018, Ragni is committed to working towards the 17 Sustainable Development Goals (SDG 11, 12, 13, 15).

Luminaire guaranteed free of hazardous substances.

Luminaire eligible for the energy savings certificate.

Luminaire compliant with the decree of 27/12/2018 on the prevention, reduction and limitation of light pollution: product configuration to be defined according to the nature of the project.



Applicable standards

IEC/EN 60598-1 / IEC/EN 60598-2-3 / NF EN 60529 / NF EN 62262 / IEC/EN 55015 / IEC/EN 61547 / IEC/EN 61000-3.2 / IEC/EN 61000-3.3 / IEC/EN 62493 / IEC/EN 62031 / IEC/EN 62471 / IEC/EN 61347-1 / IEC/EN 61347-2-13 / NF EN 13201-3 / NF EN 13201-4 / EN 13032-1+A1 & EN 13032-4 / LM79 / NF EN 12981

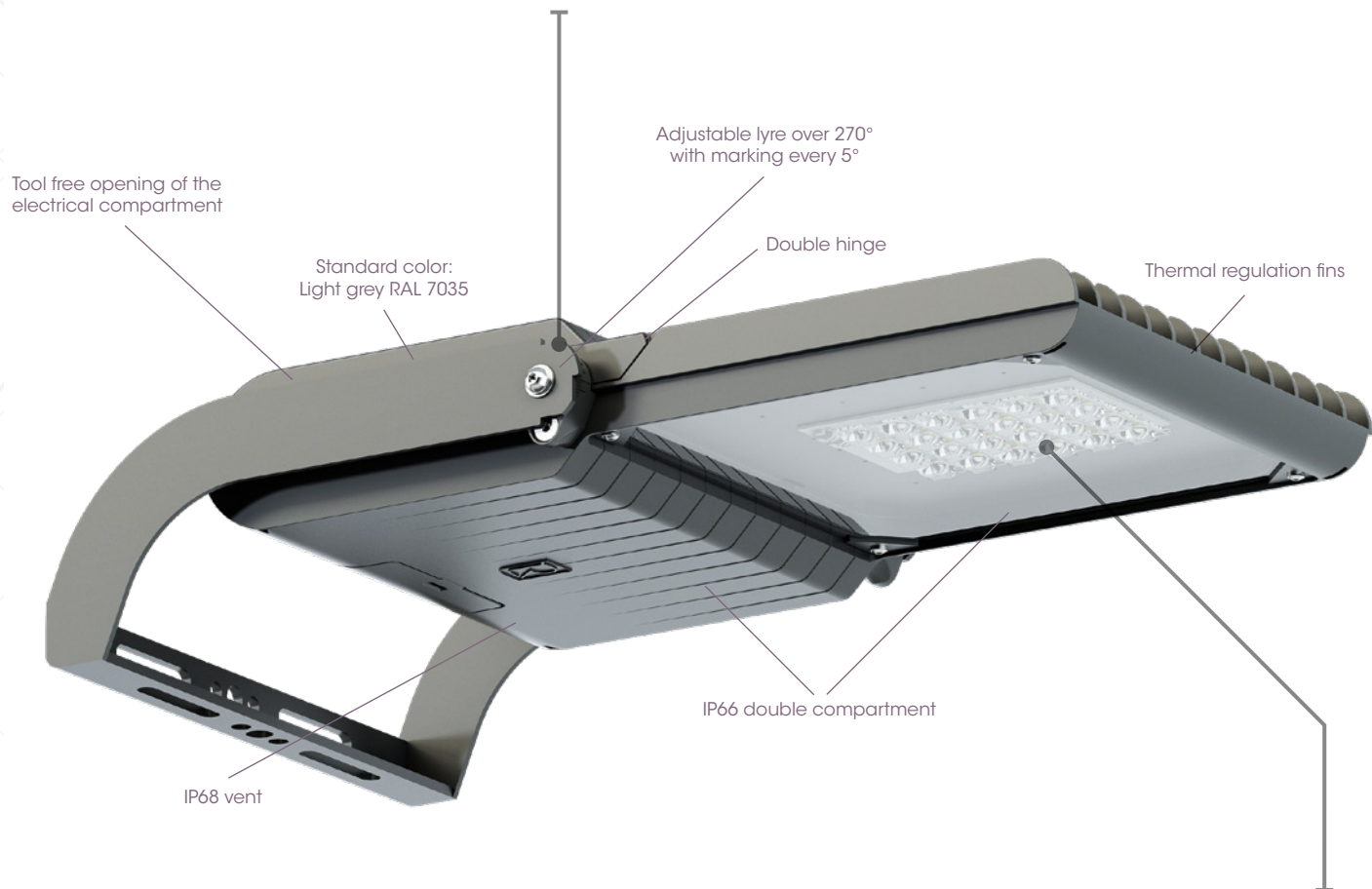
09/07/2024 - All informations are subject to change without notice.

BENTO area M

FLOODLIGHT'S SPECIFICATIONS

Floodlight's body

Weight	9 kg
Aerodynamic coefficient (C_xS)	0° = 0.043 m ² / 5° = 0.060 m ² / 20° = 0.071 m ²
Protection index	IP66
Materials	Aluminium



Optical unit & control gear

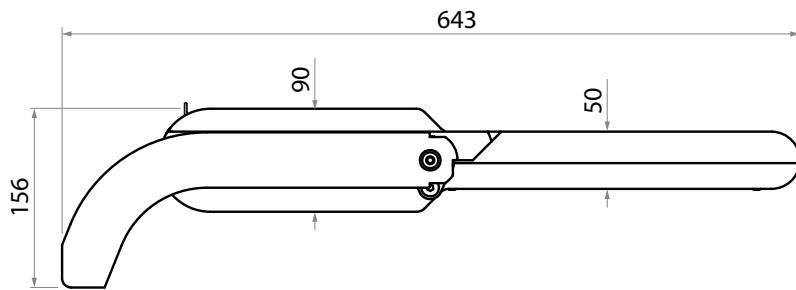
From 24 to 48 LED PCB - From 3500 to 25100 lm (see attached Bento Area datasheet for details on power, light intensities and available photometries). Integrated smart driver (control, automatic adjustment, CLO, graduation via voltage variation, DALI or Zhaga D4i).

Materials	PC with anti-UV treatment	Tempered glass
Electric class	I and II	
Protection index	IP66	
Shock resistance	IK10	IK08

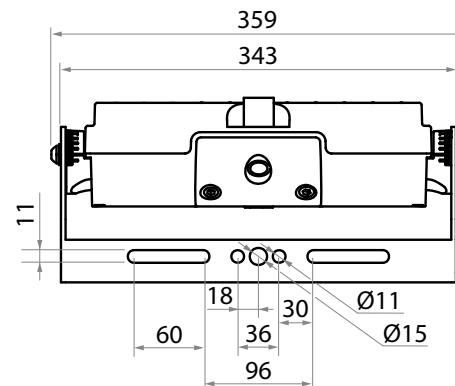
Operating temperature: -40°C to +35°C (up to +50° under conditions).

09/07/2024 - All informations are subject to change without notice.

Dimensions (mm)

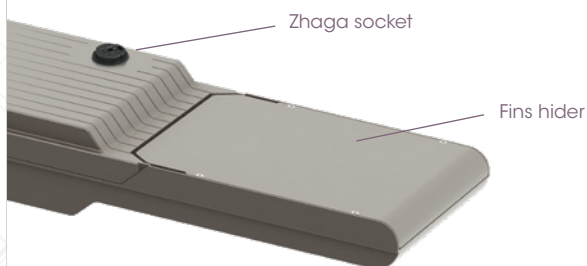


Installation note
Verify the compliance of the lighting project with the decree on light nuisance according to the inclination.



Options

- Pre-wiring.
- Surge protector.
- Zhaga or Nema socket on top of the luminaire to connect OLC or photocell. Zhaga socket at the bottom of the luminaire to add accessories such as sensors.
- NTC sensor.
- Fins hider.



Ecodesign

Luminaire designed in compliance with the environmental criteria of energy efficiency, recyclability and interoperability.

Associate member of the Zhaga consortium, Ragni integrates electronic elements in this product that comply with the Zhaga standard, which ensures its scalability and interoperability. This luminaire is Zhaga D4i certified.

Member of the Global Compact since 2018, Ragni is committed to working towards the 17 Sustainable Development Goals (SDG 11, 12, 13, 15).

Luminaire guaranteed free of hazardous substances.

Luminaire eligible for the energy savings certificate.

Luminaire compliant with the decree of 27/12/2018 on the prevention, reduction and limitation of light pollution: product configuration to be defined according to the nature of the project.



Applicable standards

IEC/EN 60598-1 / IEC/EN 60598-2-3 / NF EN 60529 / NF EN 62262 / IEC/EN 55015 / IEC/EN 61547 / IEC/EN 61000-3.2 / IEC/EN 61000-3.3 / IEC/EN 62493 / IEC/EN 62031 / IEC/EN 62471 / IEC/EN 61347-1 / IEC/EN 61347-2-13 / NF EN 13201-3 / NF EN 13201-4 / EN 13032-1+A1 & EN 13032-4 / LM79 / NF EN 12981

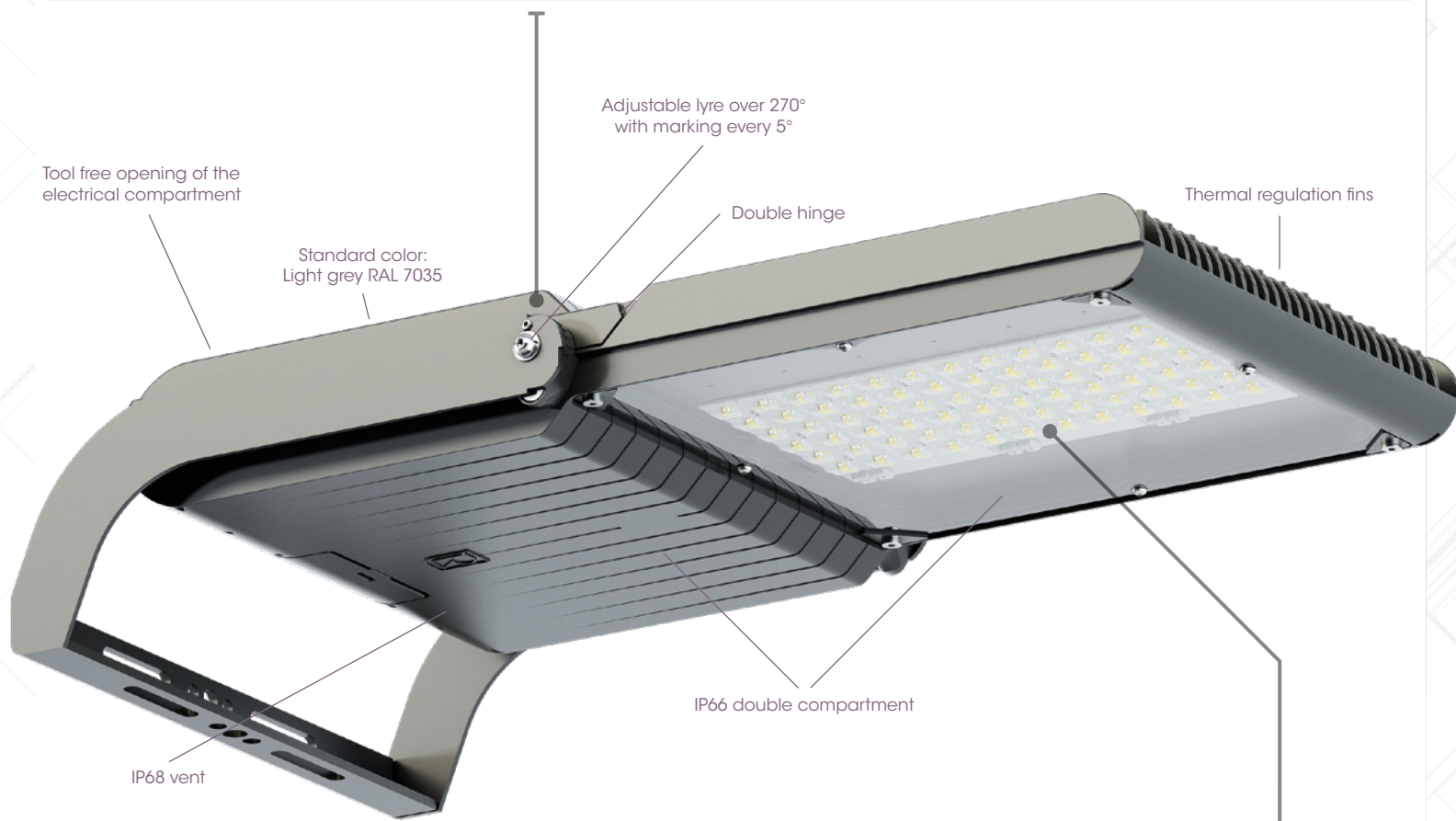
09/07/2024 - All informations are subject to change without notice.

BENTO area L

FLOODLIGHT'S SPECIFICATIONS

Floodlight's body

Weight	15.5 kg
Aerodynamic coefficient (CxS)	0° = 0.048 m ² / 5° = 0.066 m ² / 20° = 0.084 m ²
Protection index	IP66
Materials	Aluminium



Optical unit & control gear

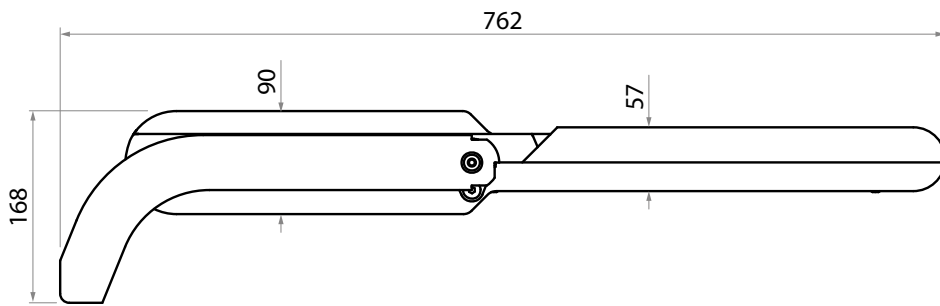
72 LED PCB - From 18300 to 53500 lm (see attached Bento Area datasheet for details on power, light intensities and available photometries).
Integrated smart driver (control, automatic adjustment, CLO, graduation via voltage variation, DALI or Zhaga D4i).

Materials	PC with anti-UV treatment	Tempered glass
Electric class	I and II	
Protection index	IP66	
Shock resistance	IK10	IK08

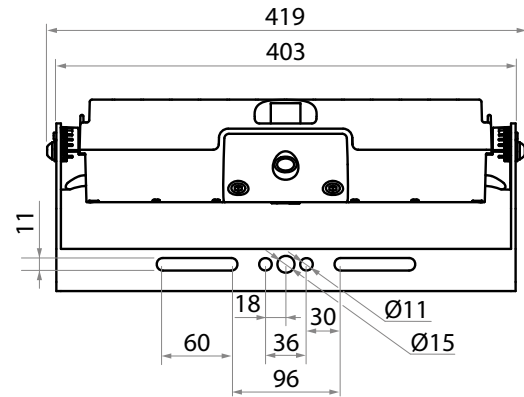
Operating temperature: -40°C to +35°C (up to +50° under conditions).

09/07/2024 - All informations are subject to change without notice.

Dimensions (mm)

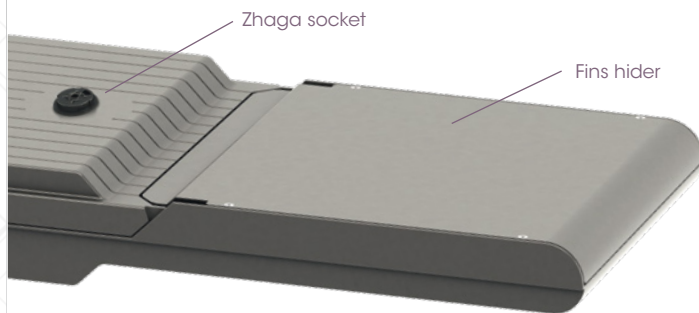


Installation note
Verify the compliance of the lighting project with the decree on light nuisance according to the inclination.



Options

- Pre-wiring.
- Surge protector.
- Zhaga or Nema socket on top of the luminaire to connect OLC or photocell. Zhaga socket at the bottom of the luminaire to add accessories such as sensors.
- NTC sensor.
- Fins hider.



Ecodesign

Luminaire designed in compliance with the environmental criteria of energy efficiency, recyclability and interoperability.

Associate member of the Zhaga consortium, Ragni integrates electronic elements in this product that comply with the Zhaga standard, which ensures its scalability and interoperability. This luminaire is Zhaga D4i certified.

Member of the Global Compact since 2018, Ragni is committed to working towards the 17 Sustainable Development Goals (SDG 11, 12, 13, 15).

Luminaire guaranteed free of hazardous substances.

Luminaire eligible for the energy savings certificate.

Luminaire compliant with the decree of 27/12/2018 on the prevention, reduction and limitation of light pollution: product configuration to be defined according to the nature of the project.



Applicable standards

IEC/EN 60598-1 / IEC/EN 60598-2-3 / NF EN 60529 / NF EN 62262 / IEC/EN 55015 / IEC/EN 61547 / IEC/EN 61000-3.2 / IEC/EN 61000-3.3 / IEC/EN 62493 / IEC/EN 62031 / IEC/EN 62471 / IEC/EN 61347-1 / IEC/EN 61347-2-13 / NF EN 13201-3 / NF EN 13201-4 / EN 13032-1+A1 & EN 13032-4 / LM79 / NF EN 12981

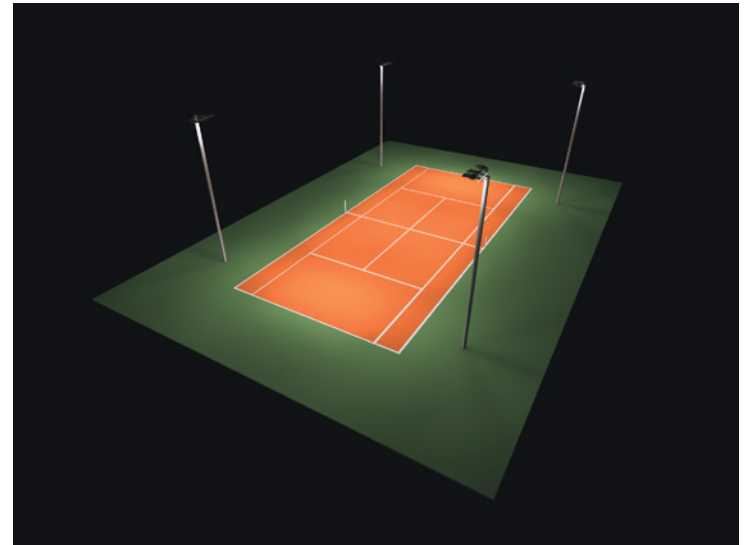
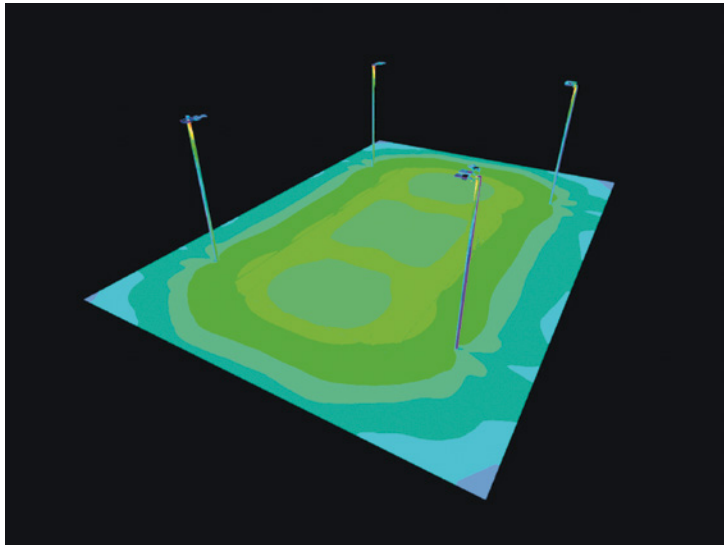
09/07/2024 - All informations are subject to change without notice.

HIGH PERFORMANCE LIGHTING AND OPTIMIZED PHOTOMETRY

The Bento area has a particularly optimized photometry for precise and intense lighting.

Case study: sports field

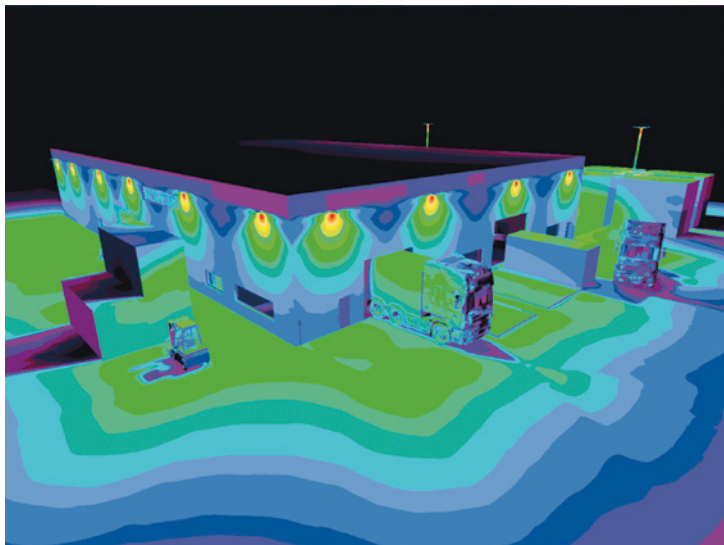
BENTO AREA M 48LED 4P6S ASY16 3000K 700mA on 9m.
mast 300lux 0.7 uniformity.



The concentrated lighting of the Bento Area floodlights provides optimal, multi-directional illumination of the playing surface.

Case study: loading platform

BENTO AREA M, 48LED, 4P6S, ASY15, 3000K, 500mA, wall mounted at 8m.
50lux 0.40 uniformity.



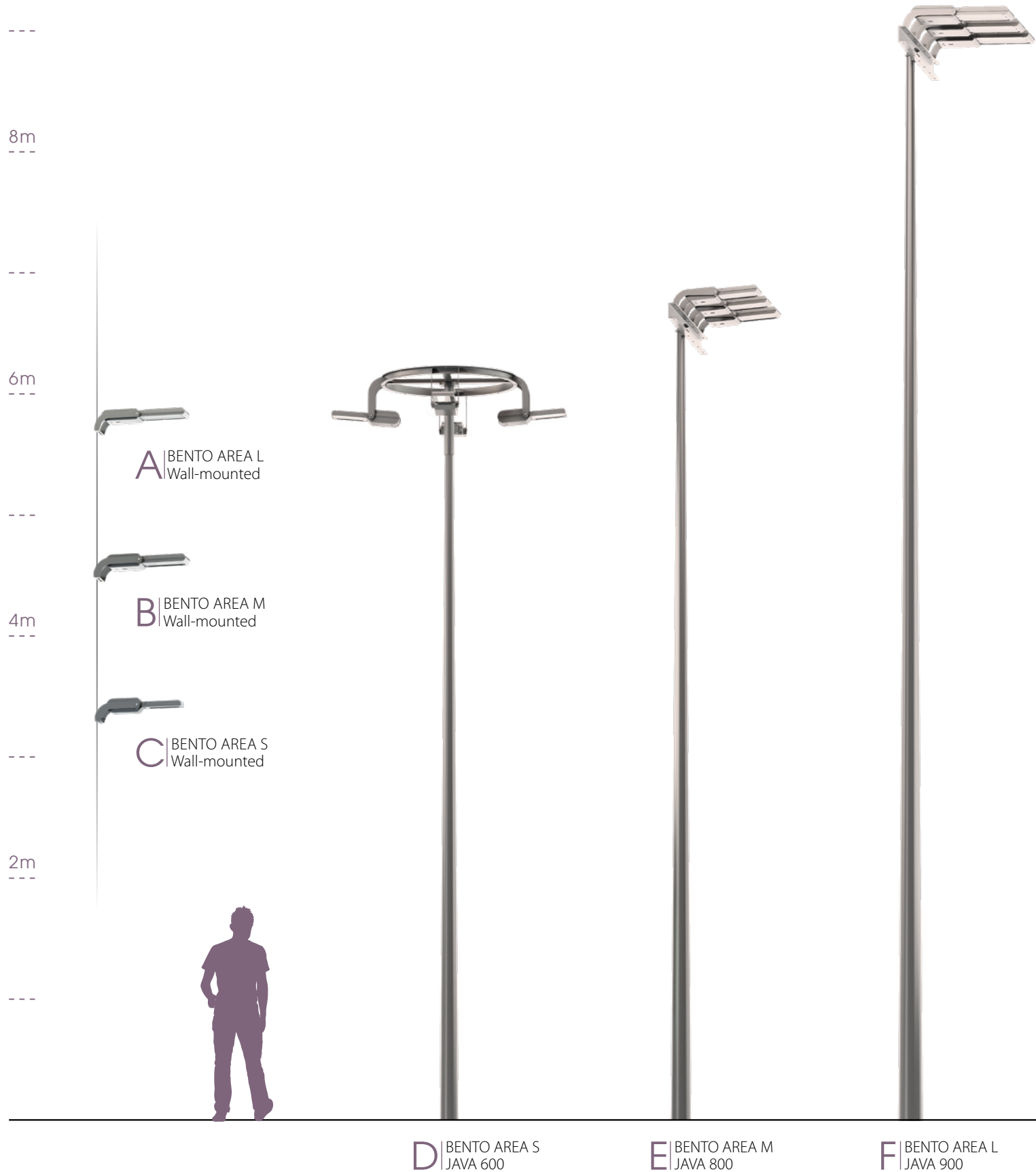
The powerful lighting provided by the Bento Area floodlights surrounds the building and is limited to the immediate surroundings. The illumination area is circumscribed to the loading perimeter and handling areas.

09/07/2024 - All informations are subject to change without notice.

BENTO area

Sets proposals

- **Standard color:** Light grey RAL 7035
- **Option:** other colors on request.



FLOODLIGHTS | BENTO AREA