



Made of aluminum and featuring symmetrical lines, Bento is a minimalist design luminaire available in 4 sizes. Rectangular, it has a compartment housing the equipment at the back, harmoniously joining the illuminating part. The fins on the top allows heat dissipation. With a dual compartment, it is fully IP66. Its sleeve is adaptable for a side or top mounting with adjustable tilt. Bento receives 8 to 72 LEDs depending on the size and can provide high performance asymmetrical road lighting via 2700K, 3000K or 4000K color temperature, while ensuring compliance with the regulations against light pollution. It can be equipped with intelligent devices thanks to socket integration with Zhaga or NEMA standards and its Zhaga D4i certification.

*Regulation specific to France: Decree of 27/12/2018 relating to the prevention, reduction and limitation of light nuisance: product configuration to be defined according to the nature of the project.

23/10/2024 - All informations are subject to change without notice.

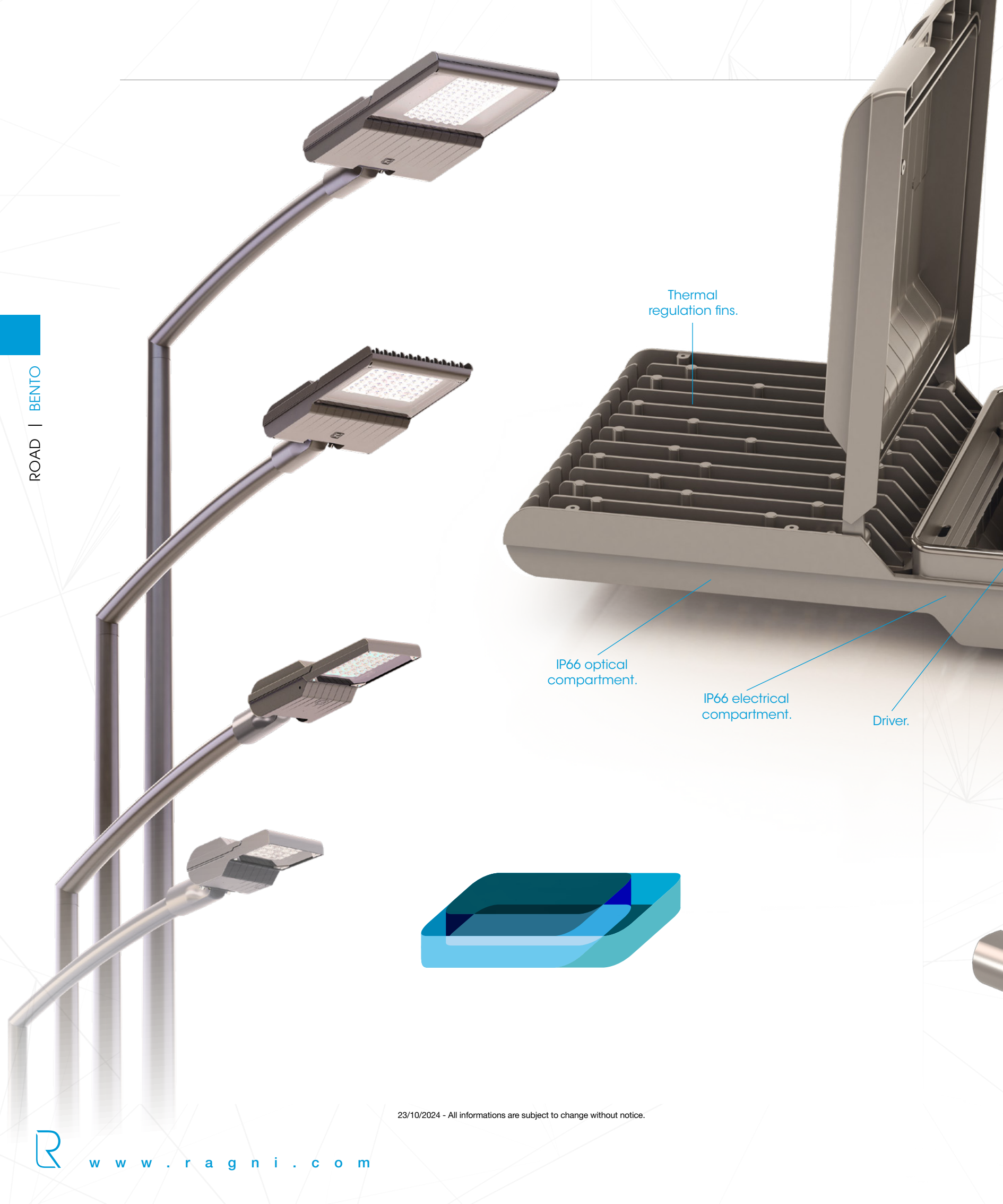
BENTO

ROAD | BENTO



- ▶ Zhaga D4i certified.
- ▶ Adjustable sleeve for lateral or top mounting.
- ▶ Available in 4 sizes.
- ▶ IP66 double compartment.





Thermal regulation fins.

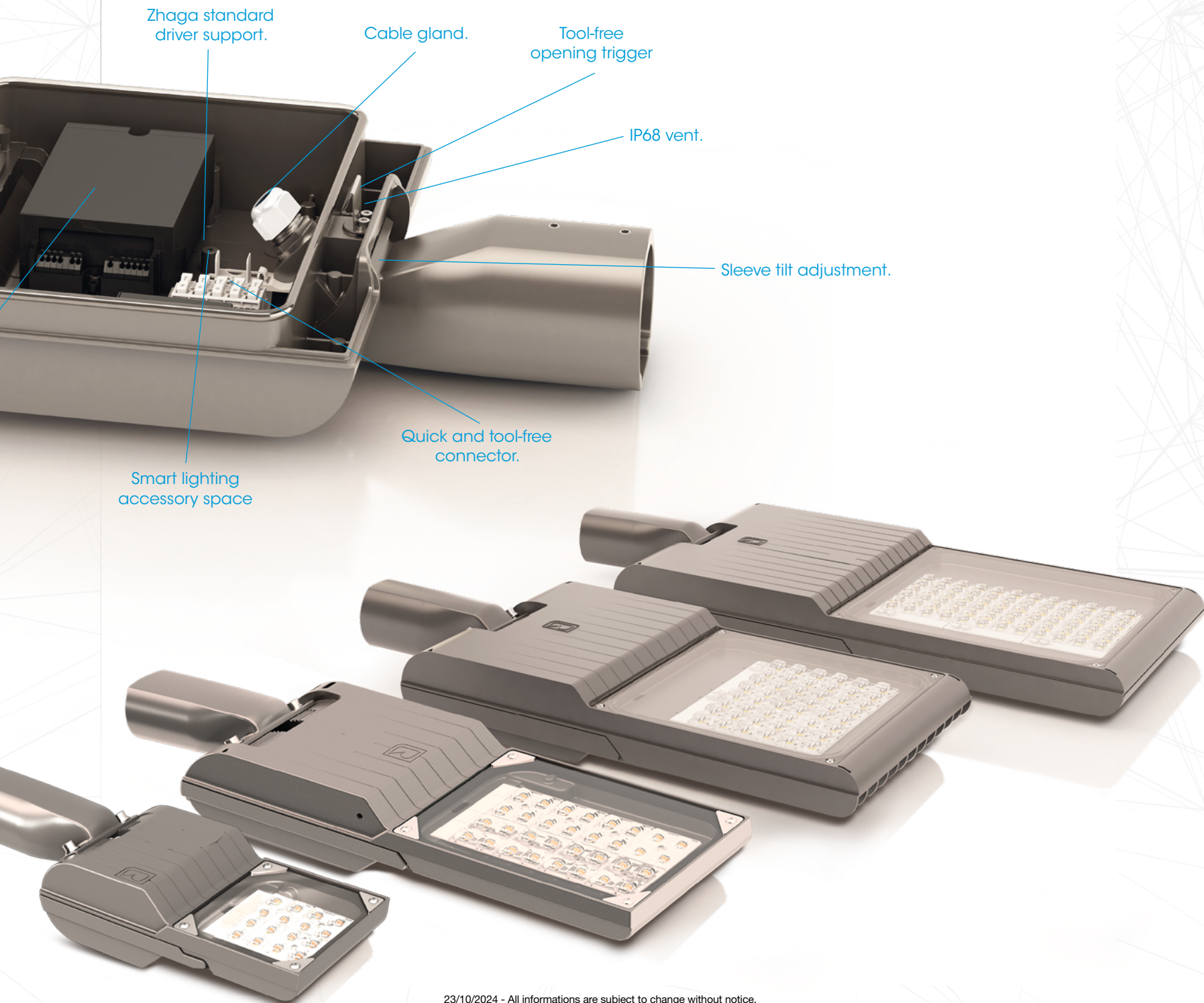
IP66 optical compartment.

IP66 electrical compartment.

Driver.



BENTO



ROAD | BENTO

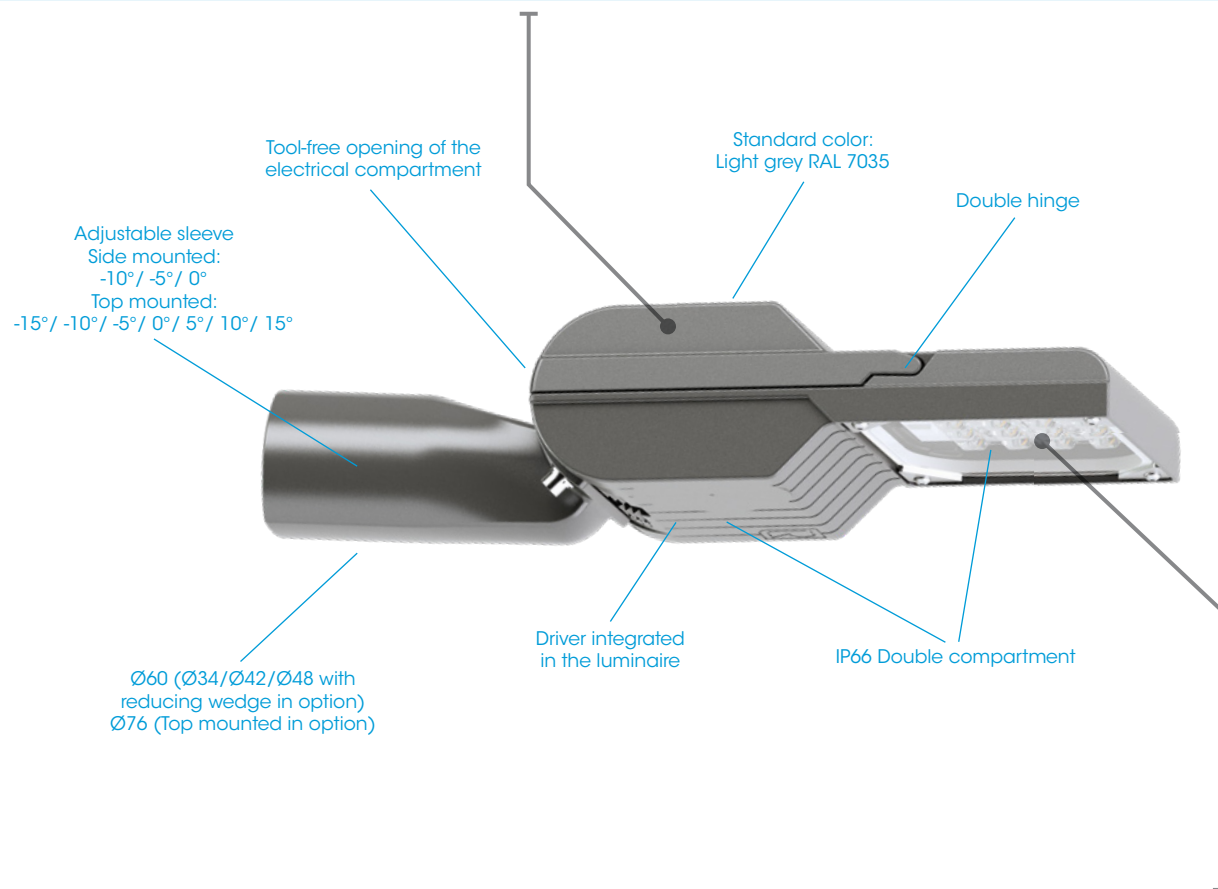
23/10/2024 - All informations are subject to change without notice.

BENTO XS

LUMINAIRE'S SPECIFICATIONS

Luminaire's body

Weight	3.8 kg
Aerodynamic coefficient (C_{xS})	0.035 m ²
Protection index	IP66
Materials	Aluminium



Optical unit & control gear

8 or 12 LED PCB in Zhaga standard - From 1100 to 5700 lm (see attached Bento datasheet for details on power, light intensity and photometry available). Integrated smart driver (control, automatic adjustment, CLO, graduation via voltage variation, DALI or Zhaga D4i). ULR 0% (LED) (ULR: Upward Light Ratio).

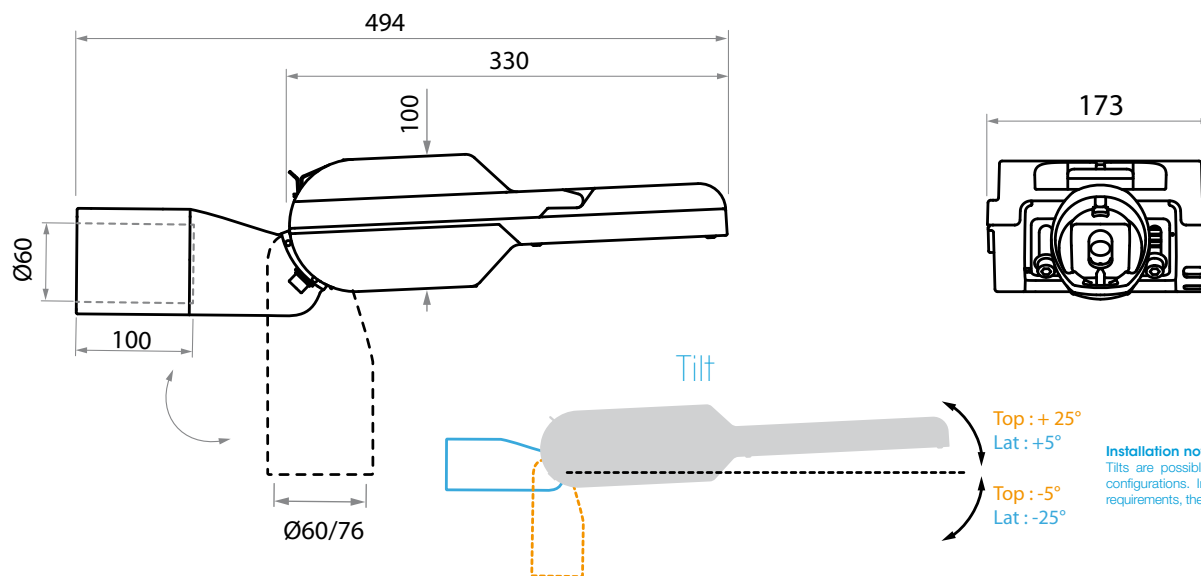
Materials	Tempered glass
Electric class	I and II
Protection index	IP66
Shock resistance	IK09

Operating temperature: -40°C to +35°C (up to +50° under conditions).

23/10/2024 - All informations are subject to change without notice.



Dimensions (mm)

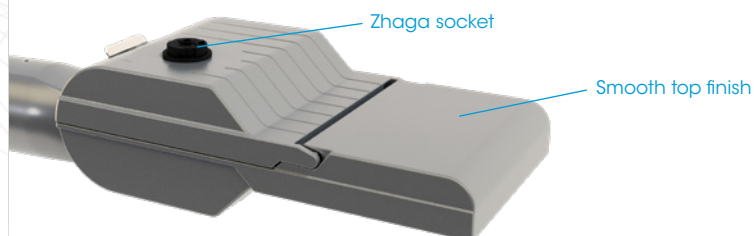


Installation note

Tilts are possible to adapt the luminaire to different bracket configurations. In order to comply with light pollution control requirements, the inclination of a luminaire should not exceed 20°.

Options

- Pre-wiring.
- Surge protector.
- Zhaga or Nema socket on top of the luminaire to connect OLC or photocell. Zhaga socket at the bottom of the luminaire to add accessories such as sensors.
- Ø34/42/48 with reducing wedge, Ø76 top mounted.
- Backlight control.
- NTC sensor.
- Safety hook.



Ecodesign

Luminaire designed in compliance with the environmental criteria of energy efficiency, recyclability and interoperability.

Associate member of the Zhaga consortium, Ragni integrates electronic elements in this product that comply with the Zhaga standard, which ensures its scalability and interoperability. This luminaire is Zhaga D4i certified.

Member of the Global Compact since 2018, Ragni is committed to working towards the 17 Sustainable Development Goals (SDG 11, 12, 13, 15).

Luminaire guaranteed free of hazardous substances.

Luminaire eligible for the energy savings certificate.

Luminaire compliant with the decree of 27/12/2018 on the prevention, reduction and limitation of light pollution: product configuration to be defined according to the nature of the project.



Applicable standards

IEC/EN 60598-1 / IEC/EN 60598-2-3 / NF EN 60529 / NF EN 62262 / IEC/EN 55015 / IEC/EN 61547 / IEC/EN 61000-3.2 / IEC/EN 61000-3.3 / IEC/EN 62493 / IEC/EN 62031 / IEC/EN 62471 / IEC/EN 61347-1 / IEC/EN 61347-2-13 / NF EN 13201-3 / NF EN 13201-4 / EN 13032-1+A1 & EN 13032-4 / LM79 / NF EN 12981

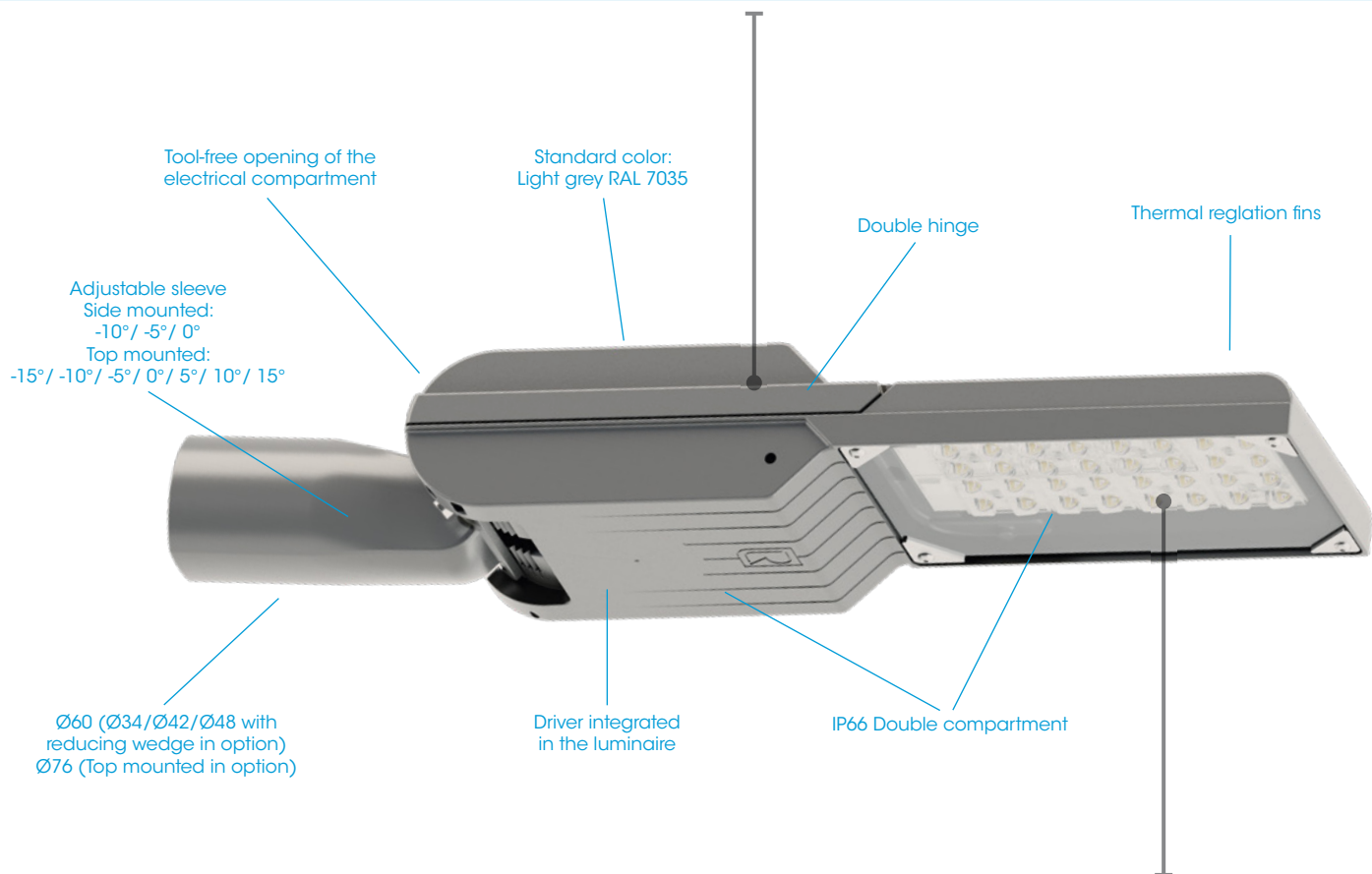
23/10/2024 - All informations are subject to change without notice.

BENTO S

LUMINAIRE'S SPECIFICATIONS

Luminaire's body

Weight	5.5 kg
Aerodynamic coefficient (CxS)	0.043 m ²
Protection index	IP66
Materials	Aluminium



Optical unit & control gear

12 to 32 LED PCB in Zhaga standard - From 1700 to 13700 lm (see attached Bento datasheet for details on power, light intensity and photometry available). Integrated smart driver (control, automatic adjustment, CLO, graduation via voltage variation, DALI or Zhaga D4i). ULR 0% (LED) (ULR: Upward Light Ratio).

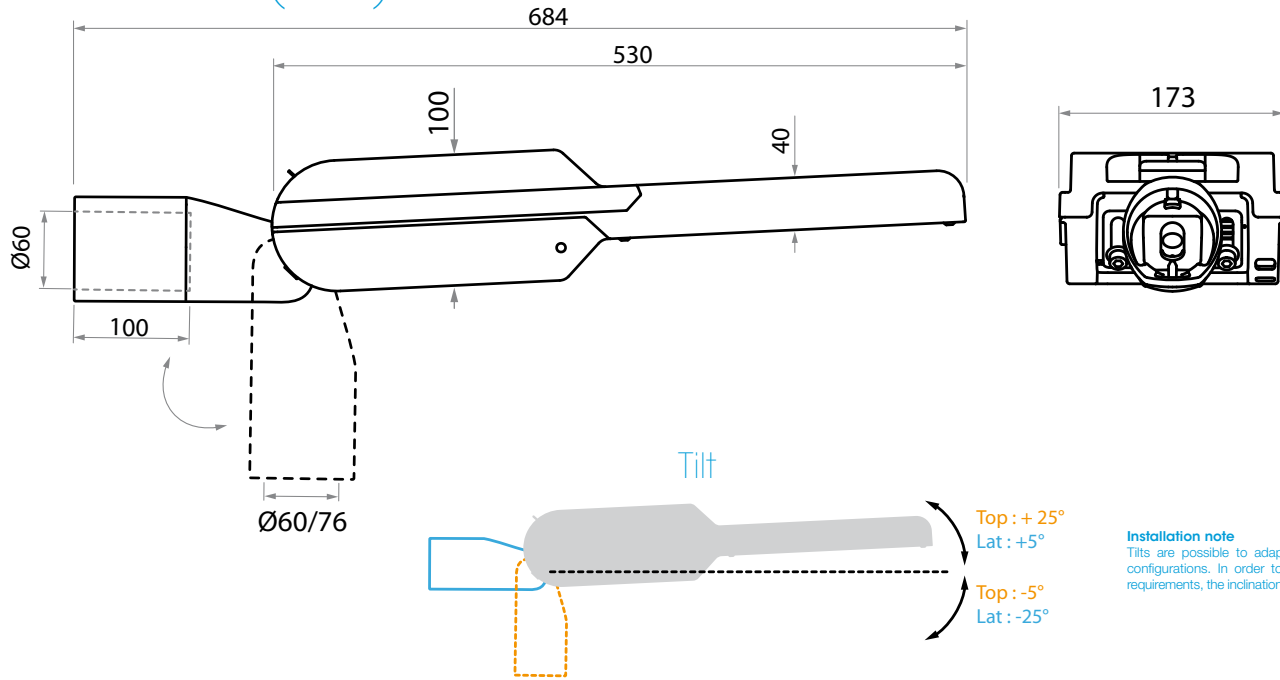
Materials	Tempered glass
Electric class	I and II
Protection index	IP66
Shock resistance	IK10

Operating temperature: -40°C to +35°C (up to +50° under conditions).

23/10/2024 - All informations are subject to change without notice.



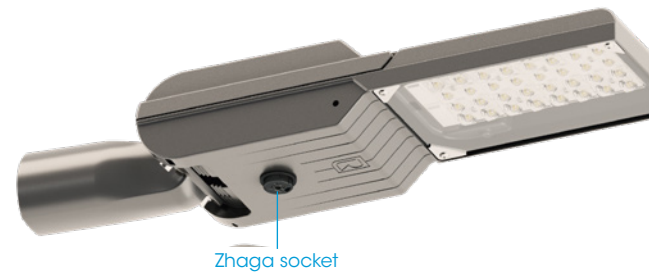
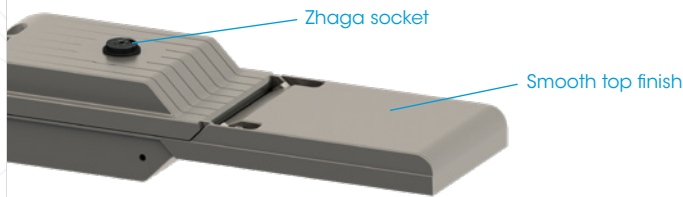
Dimensions (mm)



Installation note
Tilts are possible to adapt the luminaire to different bracket configurations. In order to comply with light pollution control requirements, the inclination of a luminaire should not exceed 20°.

Options

- Pre-wiring.
- Surge protector.
- Zhaga or Nema socket on top of the luminaire to connect OLC or photocell. Zhaga socket at the bottom of the luminaire to add accessories such as sensors.
- Ø34/42/48 with reducing wedge, Ø76 top mounted.
- Backlight control.
- NTC sensor.
- Safety hook.



Ecodesign

Luminaire designed in compliance with the environmental criteria of energy efficiency, recyclability and interoperability.

Associate member of the Zhaga consortium, Ragni integrates electronic elements in this product that comply with the Zhaga standard, which ensures its scalability and interoperability. This luminaire is Zhaga D4i certified.

Member of the Global Compact since 2018, Ragni is committed to working towards the 17 Sustainable Development Goals (SDG 11, 12, 13, 15).

Luminaire guaranteed free of hazardous substances.

Luminaire eligible for the energy savings certificate.

Luminaire compliant with the decree of 27/12/2018 on the prevention, reduction and limitation of light pollution: product configuration to be defined according to the nature of the project.



Applicable standards

IEC/EN 60598-1 / IEC/EN 60598-2-3 / NF EN 60529 / NF EN 62262 / IEC/EN 55015 / IEC/EN 61547 / IEC/EN 61000-3.2 / IEC/EN 61000-3.3 / IEC/EN 62493 / IEC/EN 62031 / IEC/EN 62471 / IEC/EN 61347-1 / IEC/EN 61347-2-13 / NF EN 13201-3 / NF EN 13201-4 / EN 13032-1+A1 & EN 13032-4 / LM79 / NF EN 12981

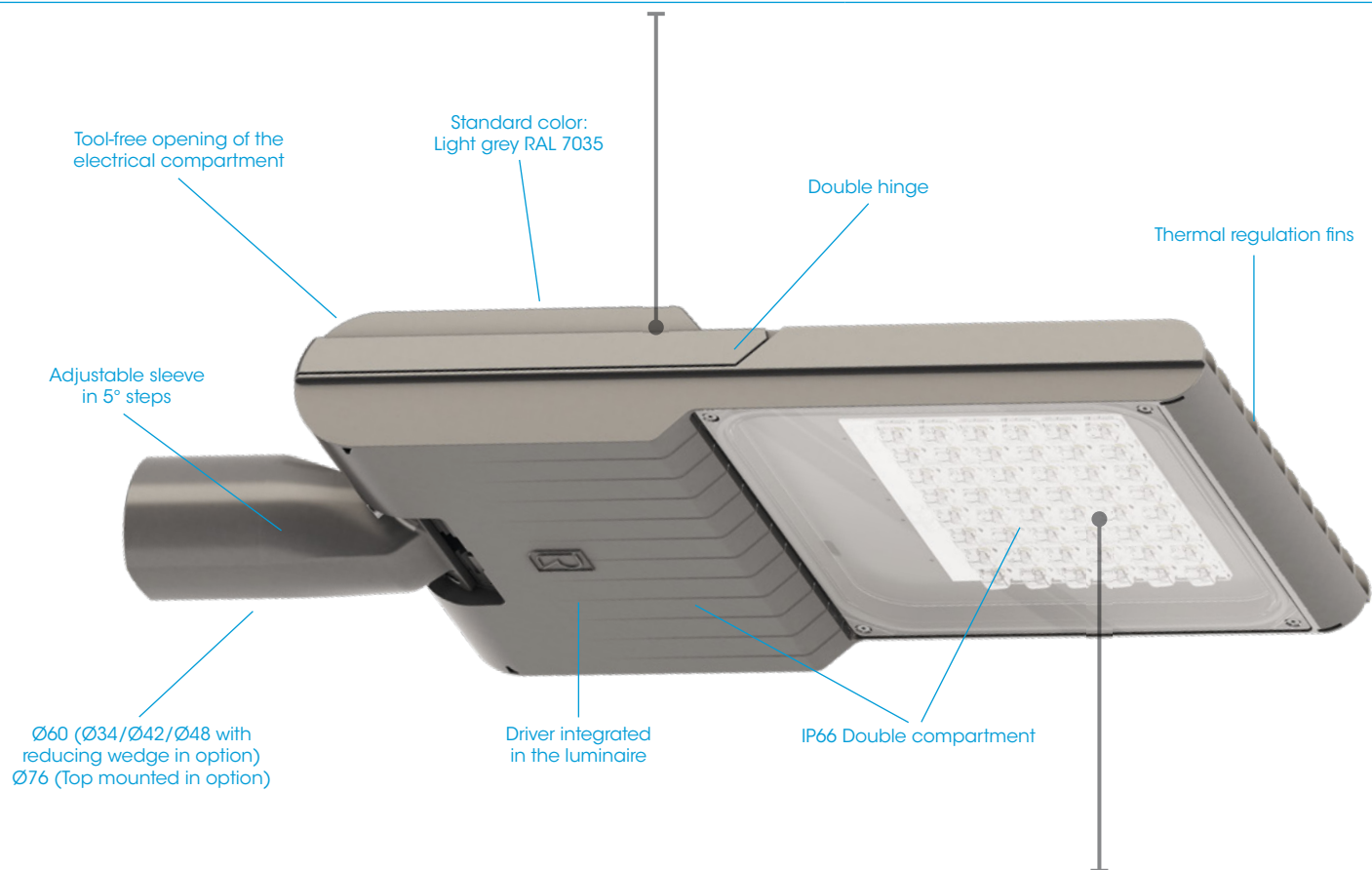
23/10/2024 - All informations are subject to change without notice.

BENTO M

LUMINAIRE'S SPECIFICATIONS

Luminaire's body

Weight	7.5 kg
Aerodynamic coefficient (CxS)	0.049 m ²
Protection index	IP66
Materials	Aluminium



Optical unit & control gear

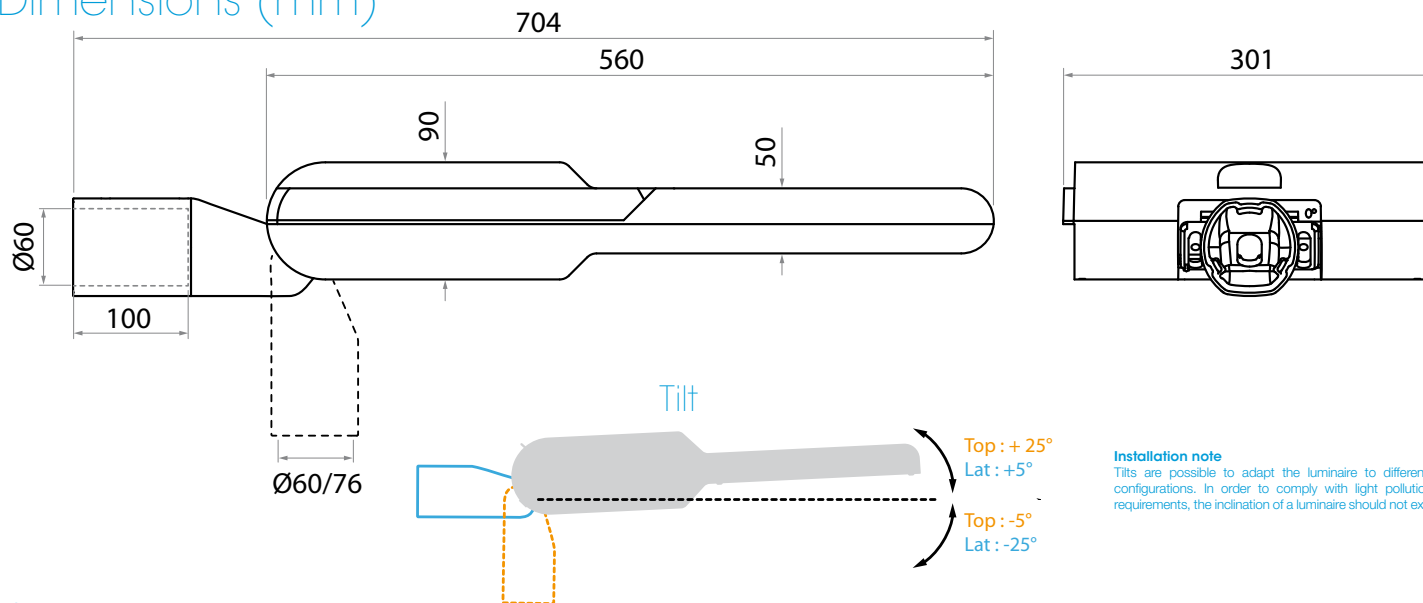
24 to 48 LED PCB in Zhaga standard - From 3900 to 28300 lm (see attached Bento datasheet for details on power, light intensity and photometry available). Integrated smart driver (control, automatic adjustment, CLO, graduation via voltage variation, DALI or Zhaga D4i). ULR 0% (*LED*) (*ULR: Upward Light Ratio*).

Materials	PC with anti-UV treatment	Tempered glass
Electric class	I and II	
Protection index	IP66	
Shock resistance	IK10	IK08

Operating temperature: -40°C to +35°C (up to +50° under conditions).

23/10/2024 - All informations are subject to change without notice.

Dimensions (mm)

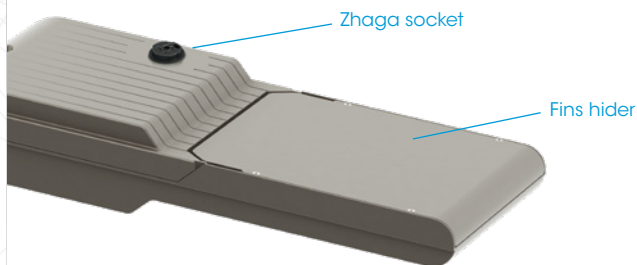


Installation note

Tilts are possible to adapt the luminaire to different bracket configurations. In order to comply with light pollution control requirements, the inclination of a luminaire should not exceed 20° .

Options

- Pre-wiring.
- Surge protector.
- Zhaga or Nema socket on top of the luminaire to connect OLC or photocell. Zhaga socket at the bottom of the luminaire to add accessories such as sensors.
- $\text{Ø}34/42/48$ with reducing wedge, $\text{Ø}76$ top mounted.
- Backlight control.
- NTC sensor.
- Automatic disconnection when the luminaire is opened.
- Fins hider.



Ecodesign

Luminaire designed in compliance with the environmental criteria of energy efficiency, recyclability and interoperability.

Associate member of the Zhaga consortium, Ragni integrates electronic elements in this product that comply with the Zhaga standard, which ensures its scalability and interoperability. This luminaire is Zhaga D4i certified.

Member of the Global Compact since 2018, Ragni is committed to working towards the 17 Sustainable Development Goals (SDG 11, 12, 13, 15).

Luminaire guaranteed free of hazardous substances.

Luminaire eligible for the energy savings certificate.

Luminaire compliant with the decree of 27/12/2018 on the prevention, reduction and limitation of light pollution: product configuration to be defined according to the nature of the project.



Applicable standards

IEC/EN 60598-1 / IEC/EN 60598-2-3 / NF EN 60529 / NF EN 62262 / IEC/EN 55015 / IEC/EN 61547 / IEC/EN 61000-3.2 / IEC/EN 61000-3.3 / IEC/EN 62493 / IEC/EN 62031 / IEC/EN 62471 / IEC/EN 61347-1 / IEC/EN 61347-2-13 / NF EN 13201-3 / NF EN 13201-4 / EN 13032-1+A1 & EN 13032-4 / LM79 / NF EN 12981

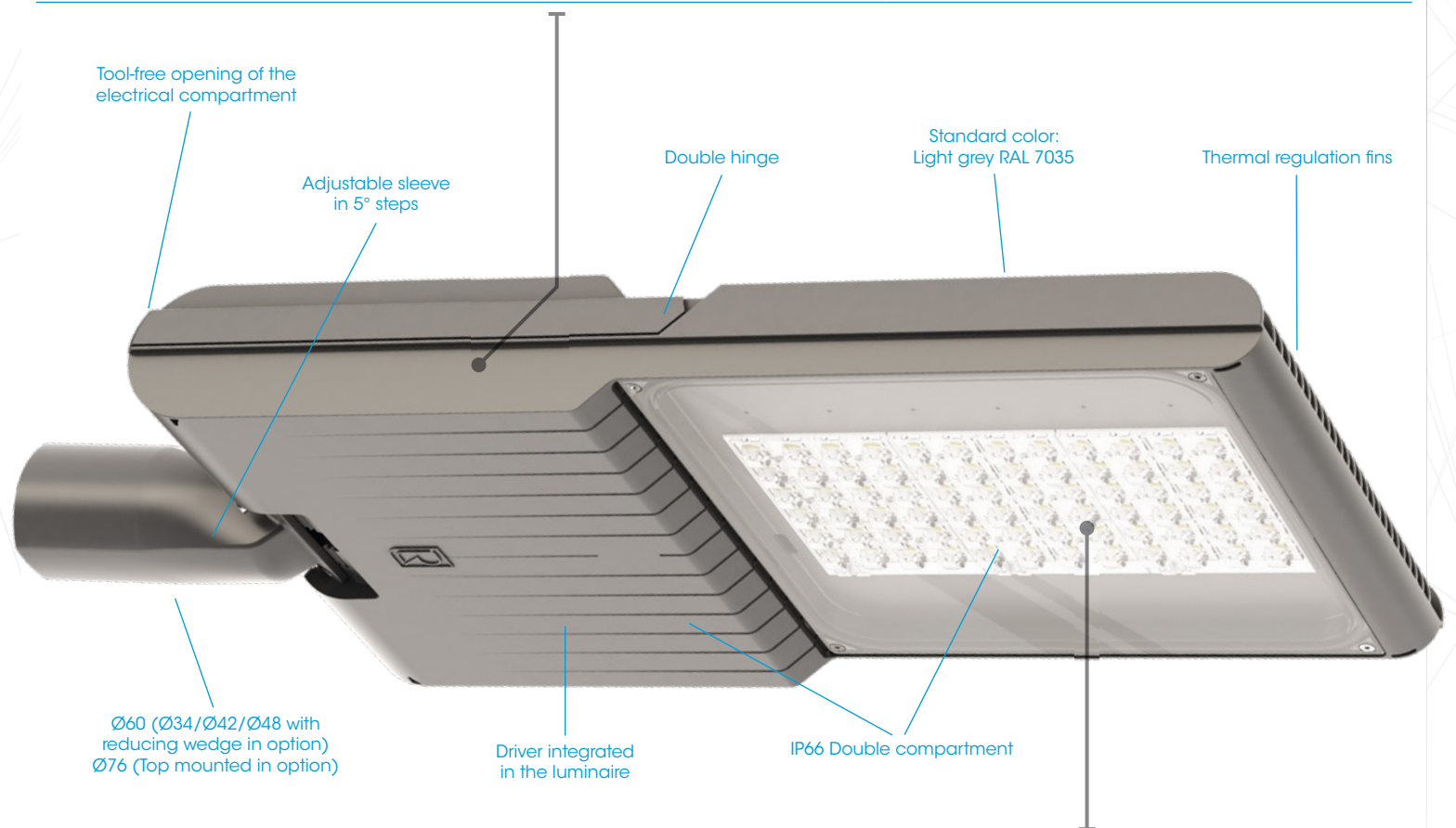
23/10/2024 - All informations are subject to change without notice.

BENTO L

LUMINAIRE'S SPECIFICATIONS

Luminaire's body

Weight	13.5 kg
Aerodynamic coefficient (CxS)	0.058 m ²
Protection index	IP66
Materials	Aluminium



Optical unit & control gear

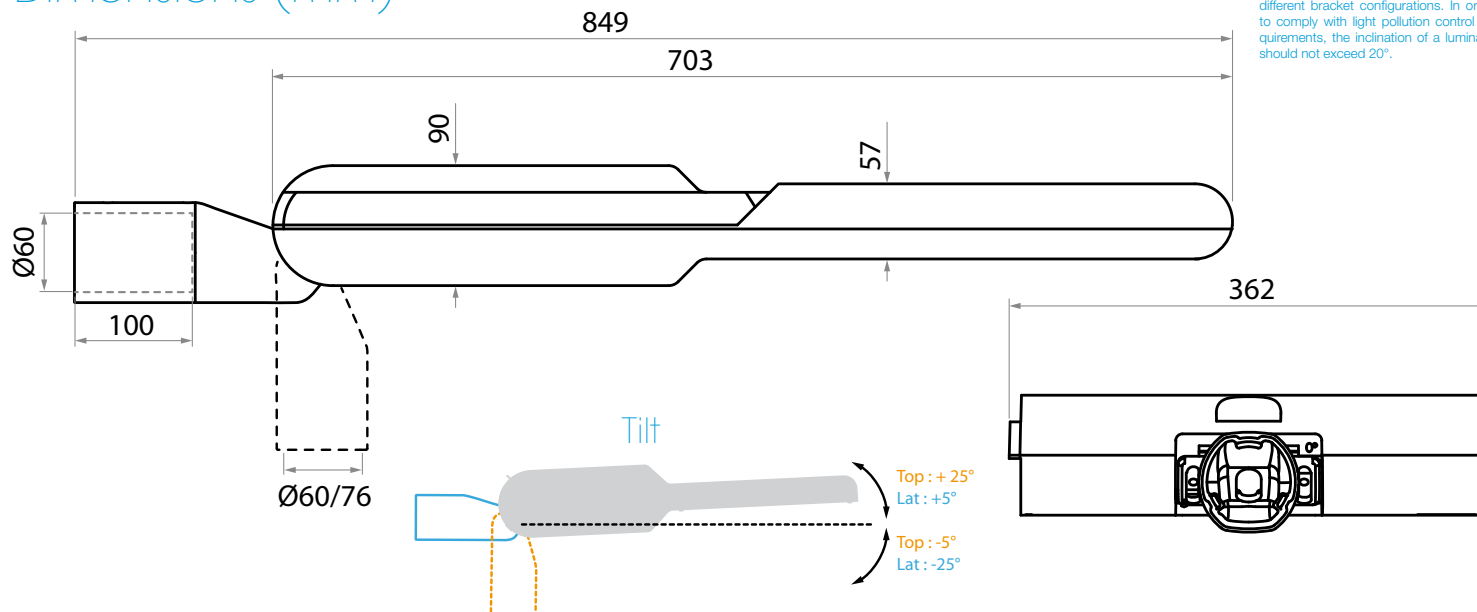
72 LED PCB in Zhaga standard - From 20600 to 53500 lm (see attached Bento datasheet for details on power, light intensity and photometry available). Integrated smart driver (control, automatic adjustment, CLO, graduation via voltage variation, DALI or Zhaga D4i). ULR 0% (LED) (ULR: Upward Light Ratio).

Materials	PC with anti-UV treatment	Tempered glass
Electric class	I and II	
Protection index	IP66	
Shock resistance	IK10	IK08

Operating temperature: -40°C to +35°C (up to +50° under conditions).

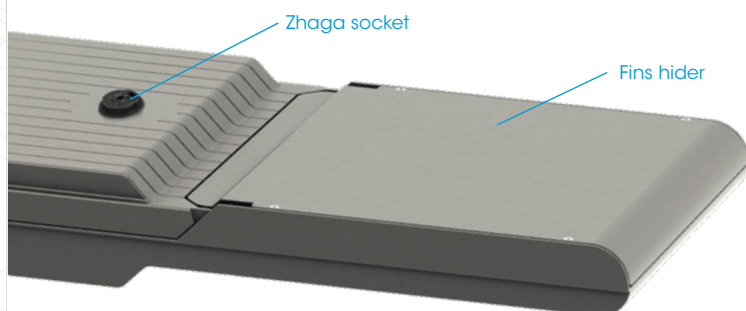
23/10/2024 - All informations are subject to change without notice.

Dimensions (mm)



Options

- Pre-wiring.
- Surge protector.
- Zhaga or Nema socket on top of the luminaire to connect OLC or photocell. Zhaga socket at the bottom of the luminaire to add accessories such as sensors.
- $\varnothing 34/42/48$ with reducing wedge, $\varnothing 76$ top mounted.
- Backlight control.
- NTC sensor.
- Automatic disconnection when the luminaire is opened.
- Fins hider.



Ecodesign

Luminaire designed in compliance with the environmental criteria of energy efficiency, recyclability and interoperability.

Associate member of the Zhaga consortium, Ragni integrates electronic elements in this product that comply with the Zhaga standard, which ensures its scalability and interoperability. This luminaire is Zhaga D4i certified.

Member of the Global Compact since 2018, Ragni is committed to working towards the 17 Sustainable Development Goals (SDG 11, 12, 13, 15).

Luminaire guaranteed free of hazardous substances.

Luminaire eligible for the energy savings certificate.

Luminaire compliant with the decree of 27/12/2018 on the prevention, reduction and limitation of light pollution: product configuration to be defined according to the nature of the project.



Applicable standards

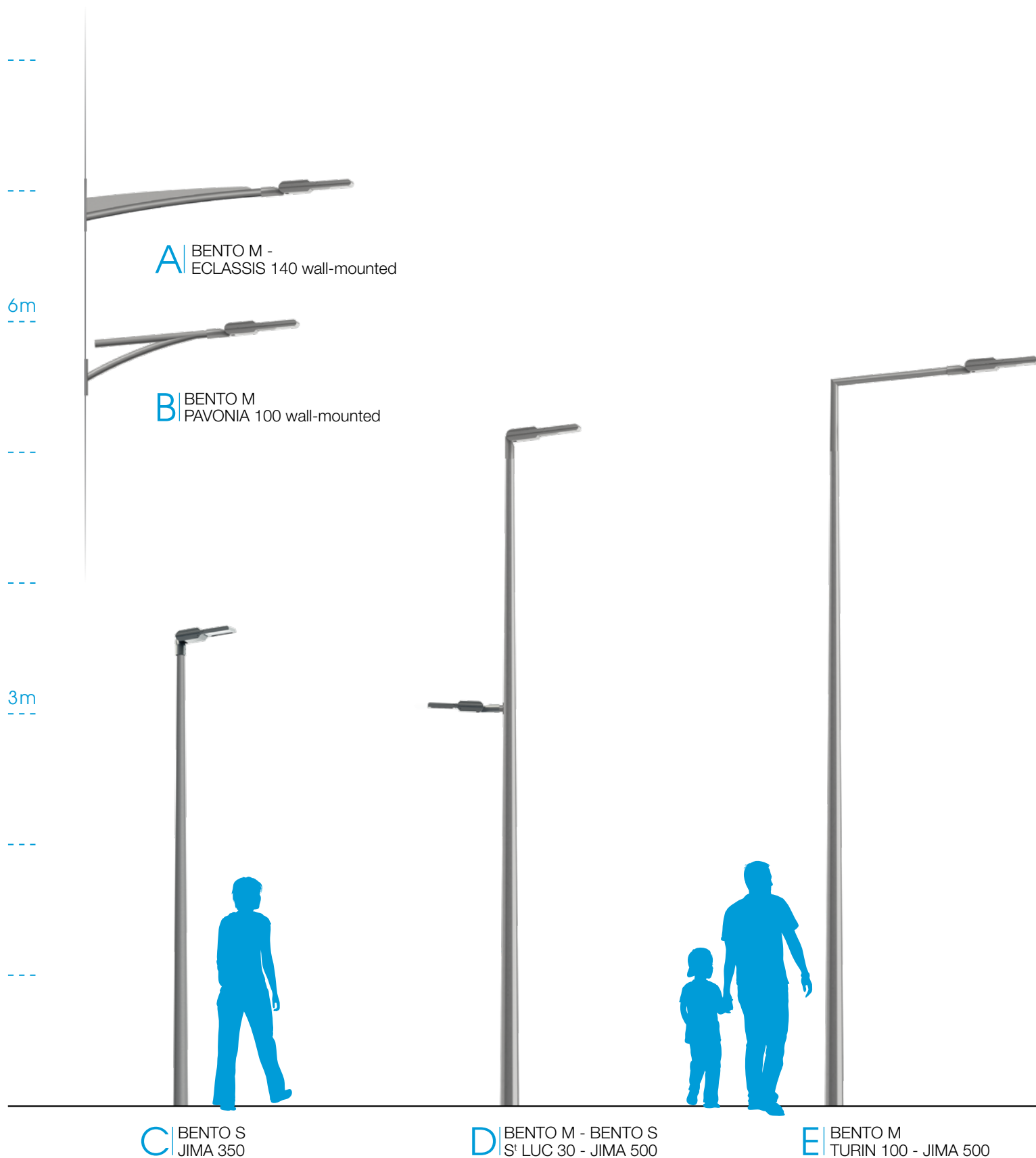
IEC/EN 60598-1 / IEC/EN 60598-2-3 / NF EN 60529 / NF EN 62262 / IEC/EN 55015 / IEC/EN 61547 / IEC/EN 61000-3.2 / IEC/EN 61000-3.3 / IEC/EN 62493 / IEC/EN 62031 / IEC/EN 62471 / IEC/EN 61347-1 / IEC/EN 61347-2-13 / NF EN 13201-3 / NF EN 13201-4 / EN 13032-1+A1 & EN 13032-4 / LM79 / NF EN 12981

23/10/2024 - All informations are subject to change without notice.

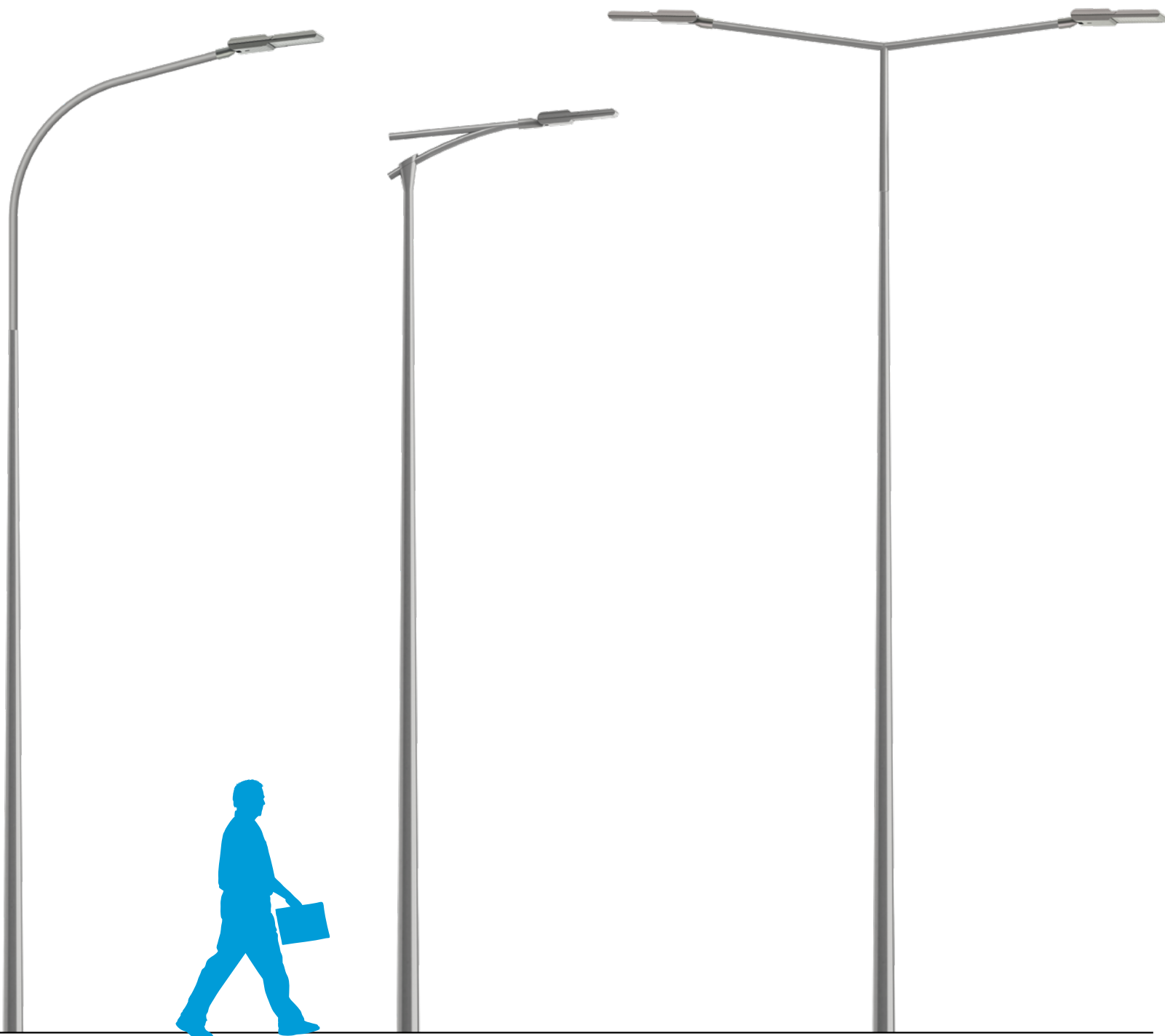
Sets proposals

- **Standard color:** Light grey RAL 7035.
- **Option:** other colors on request.

ROAD | BENTO



BENTO



ROAD | BENTO

F BENTO L
PARME 100/150 - JIMA 500

G BENTO M - PAVONIA 100
JIMA 600

H BENTO L
TURIN 100/120 - JIMA 600

