

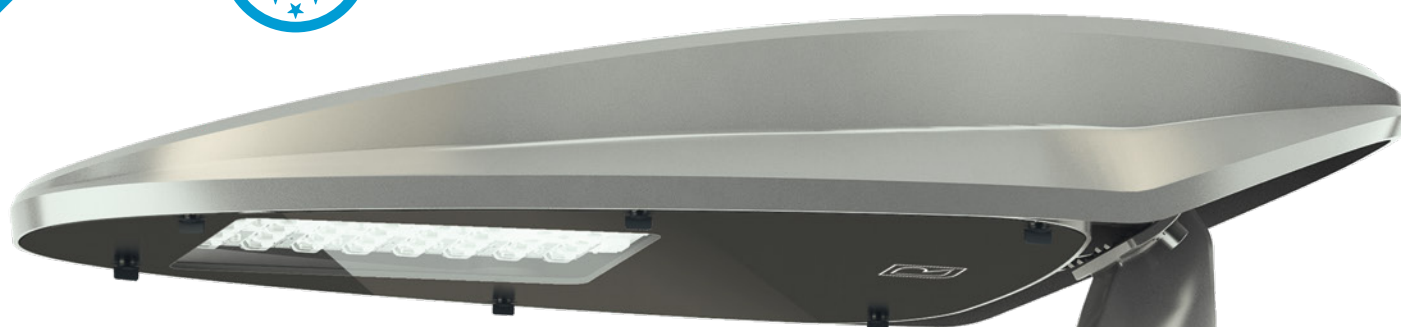
DEIKO

ROAD | DEIKO



- ▶ Zhaga D4i certified.
- ▶ Available in 2 sizes.
- ▶ IP66 double compartment.
- ▶ Adjustable sleeve for lateral or top mounting.

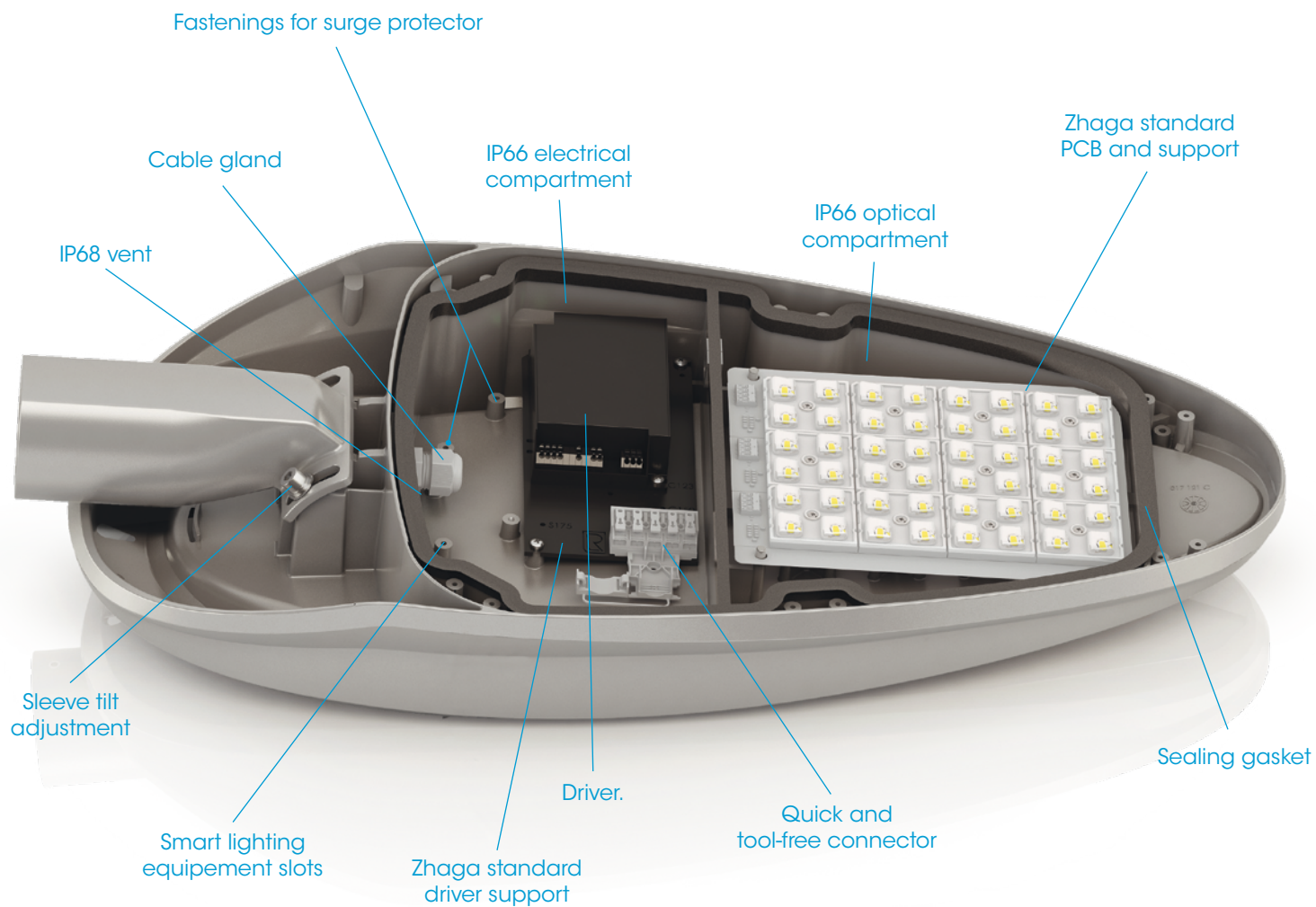




In the functional range, Deiko consists of a body in aluminium and a tempered glass finish. Its ovoid shape gives it a distinctive aesthetic character. Available in two sizes, it can be fixed laterally or on top. Thanks to a discreetly integrated sleeve, it can be tilted from 0° to -10° sideways and from -15° to 15° upwards in 5-in-5 steps. The luminaire is equipped with a double compartment separating control gear and LED source. It features an IK08 tempered glass and the IK10 body with a fully IP66 sealed assembly. Deiko receive 8 to 80 LED depending on the size and allows, through a wide range of color temperatures and photometrics, to provide high performance asymmetrical road lighting while ensuring compliance with the regulations against light pollution. Deiko can be equipped with intelligent devices thanks to socket integration with Zhaga or NEMA standards and its Zhaga D4i certification.

*Regulation specific to France: Decree of 27/12/2018 relating to the prevention, reduction and limitation of light nuisance: product configuration to be defined according to the nature of the project.

04/07/2023 - All informations are subject to change without notice.



Adjustable sleeve
Side mounted : -10° / -5° / 0°
Top mounted :
-15° / -10° / -5° / 0° / 5° / 10° / 15°

Ø60 (Ø34/Ø42/Ø48 with
reducing wedge in option)
Ø76 (Top mounted in option)

04/07/2023 - All informations are subject to change without notice.

DEIKO

Socket for Zhaga
or NEMA standard
communication
module



Tool-free opening
with 1/4 turn clip

Screen-printed
tempered glass

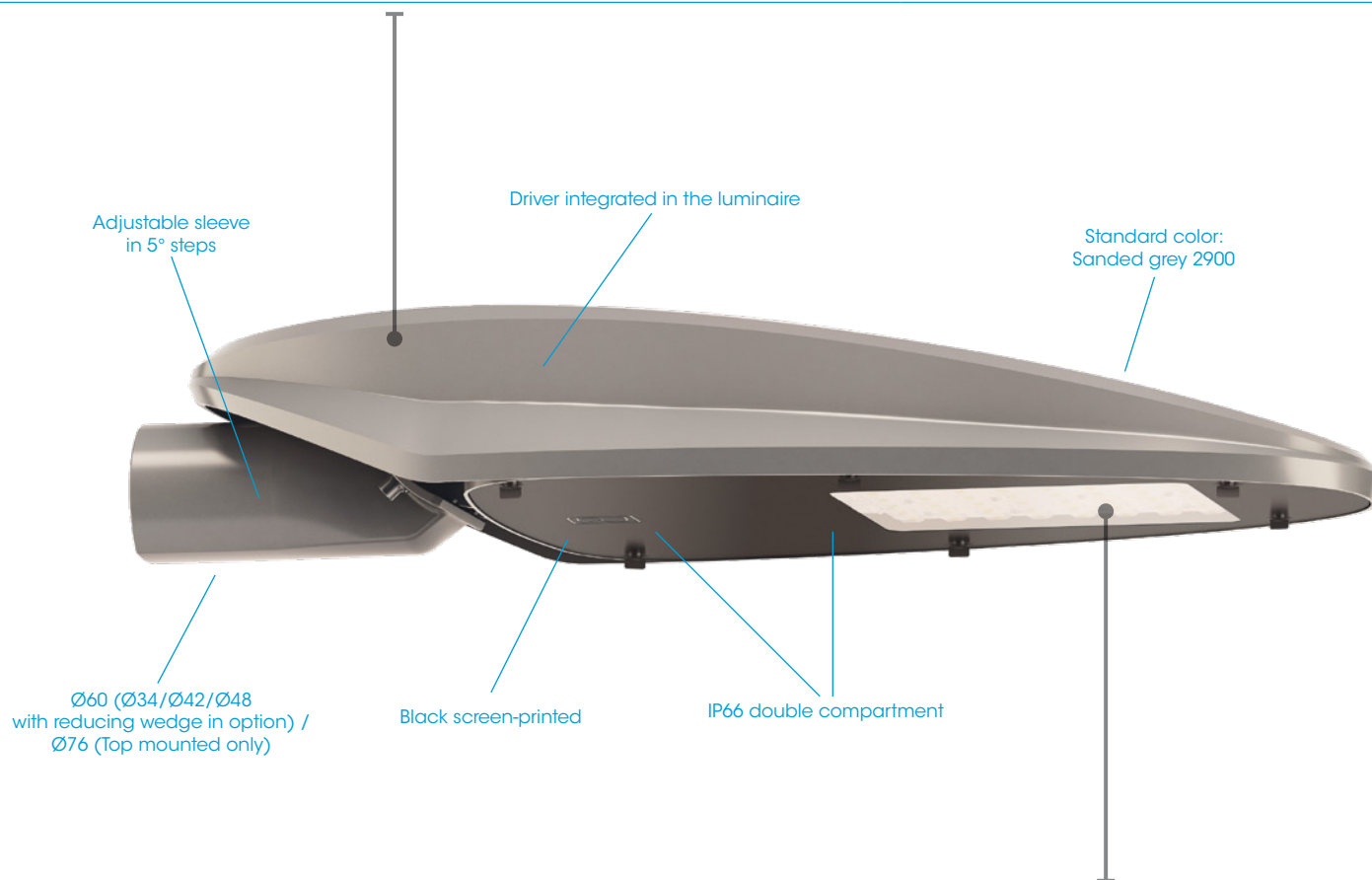


DEIKO S

LUMINAIRE'S SPECIFICATIONS

Luminaire's body

Weight	9 kg
Aerodynamic coefficient (C_xS)	0.057 m ²
Protection index	IP66
Materials	Aluminium



Optical unit & control gear

8 to 48 LED PCB in Zhaga standard - From 1000 to 13800 lm (see attached Deiko datasheet for details on power, light intensity and photometry available). Integrated smart driver (control, automatic adjustment, CLO, graduation via voltage variation, DALI or Zhaga D4i). ULR 0% (LED) (ULR: Upward Light Ratio).

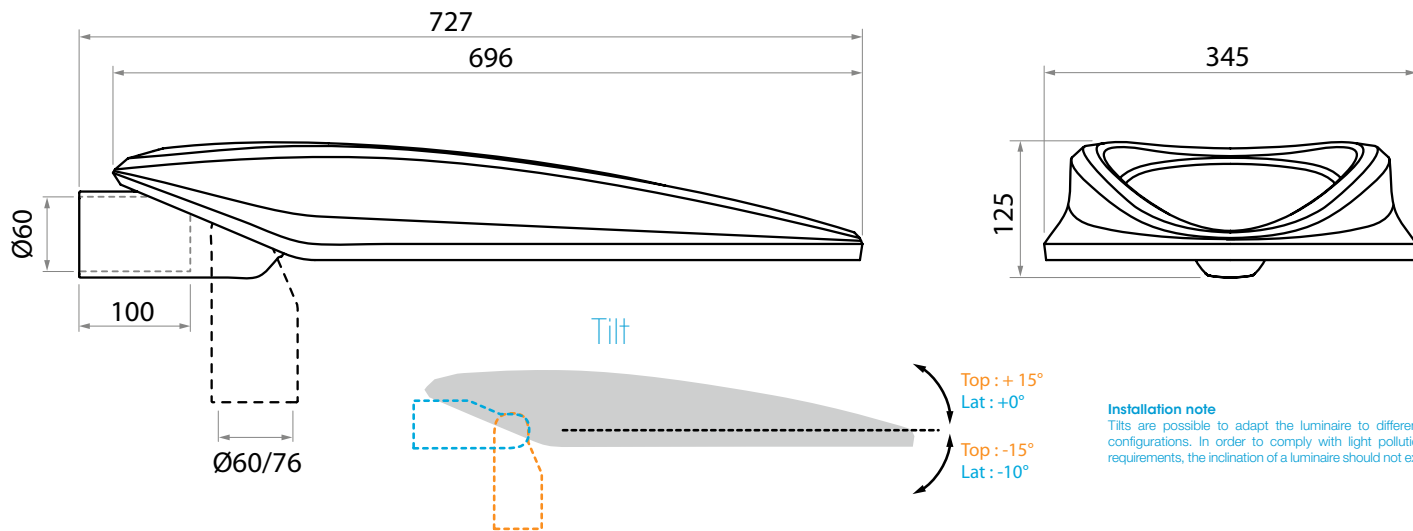
Materials	Tempered glass
Electric class	I and II
Protection index	IP66
Shock resistance	IK08

Operating temperature: -40°C to +35°C (up to +50° under conditions).

04/07/2023 - All informations are subject to change without notice.



Dimensions (mm)



Installation note
 Tilts are possible to adapt the luminaire to different bracket configurations. In order to comply with light pollution control requirements, the inclination of a luminaire should not exceed 20°.

Options

- Pre-wiring.
- Surge protector.
- Zhaga or Nema socket on top of the luminaire to connect OLC or photocell. Zhaga socket at the bottom of the luminaire to add accessories such as sensors.
- Ø34/42/48 with reducing wedge, Ø76 top mounted.
- Backlight control.
- NTC sensor.
- Withholding cablets.



Ecodesign

Luminaire designed in compliance with the environmental criteria of energy efficiency, recyclability and interoperability.

Associate member of the Zhaga consortium, Ragni integrates electronic elements in this product that comply with the Zhaga standard, which ensures its scalability and interoperability. This luminaire is Zhaga D4i certified.

Member of the Global Compact since 2018, Ragni is committed to working towards the 17 Sustainable Development Goals (SDG 11, 12, 13, 15).

Luminaire guaranteed free of hazardous substances.

Luminaire eligible for the energy savings certificate.

Luminaire compliant with the decree of 27/12/2018 on the prevention, reduction and limitation of light pollution: product configuration to be defined according to the nature of the project.



Applicable standards

IEC/EN 60598-1 / IEC/EN 60598-2-3 / NF EN 60529 / NF EN 62262 / IEC/EN 55015 / IEC/EN 61547 / IEC/EN 61000-3.2 / IEC/EN 61000-3.3 / IEC/EN 62493 / IEC/EN 62031 / IEC/EN 62471 / IEC/EN 61347-1 / IEC/EN 61347-2-13 / NF EN 13201-3 / NF EN 13201-4 / EN 13032-1+A1 & EN 13032-4 / LM79 / NF EN 12981

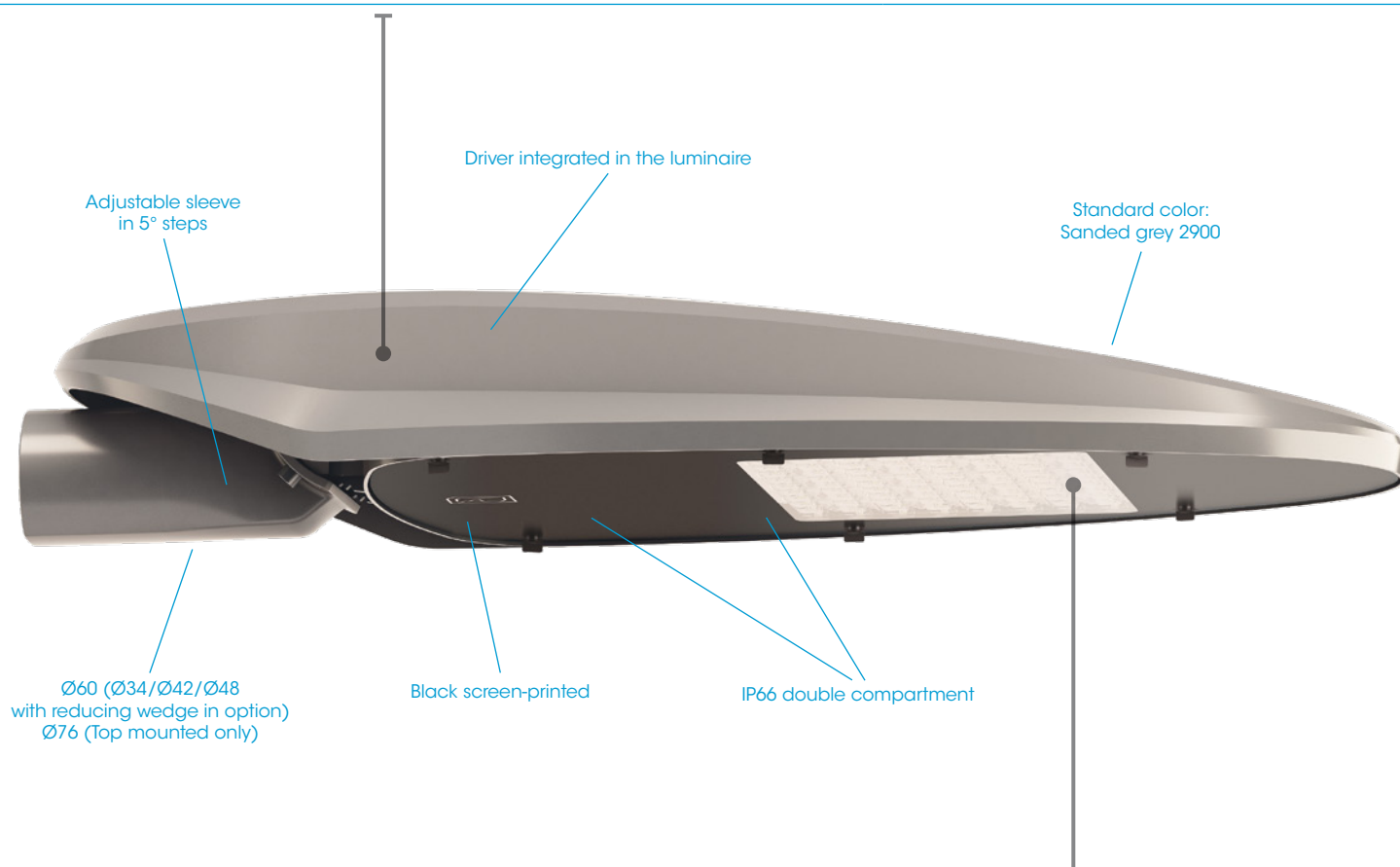
04/07/2023 - All informations are subject to change without notice.

DEIKO M

LUMINAIRE'S SPECIFICATIONS

LUMINAIRE'S BODY

Weight	10 kg
Aerodynamic coefficient (C_xS)	0.062 m ²
Protection index	IP66
Materials	Aluminium



Optical unit & control gear

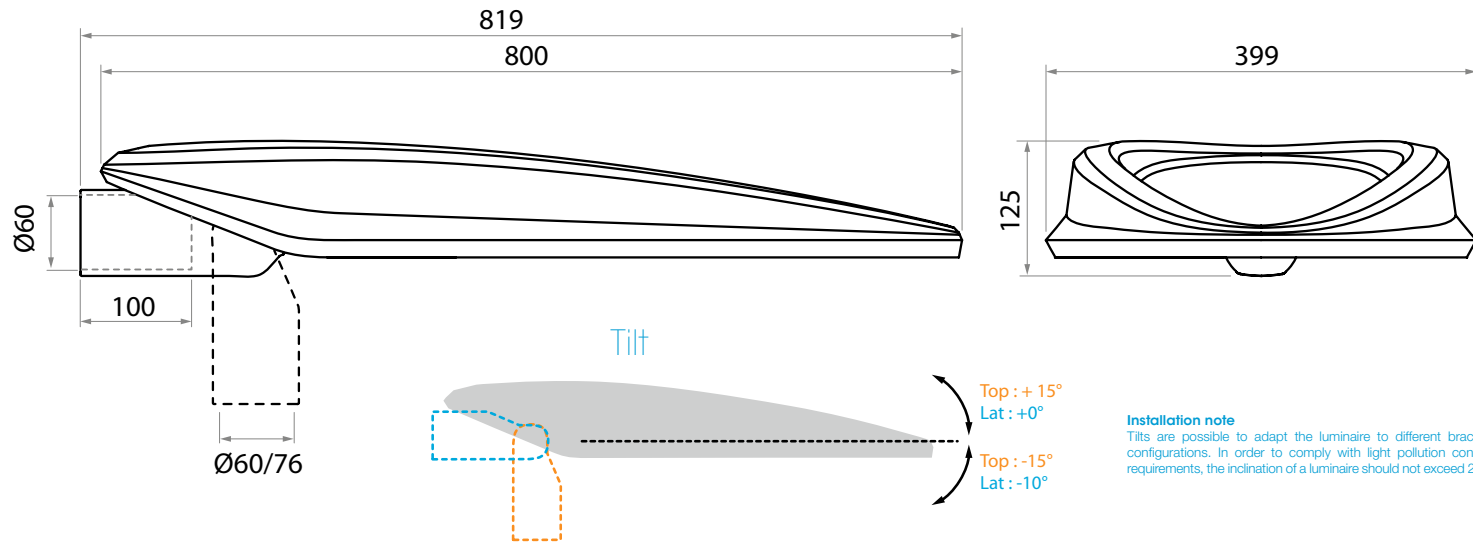
32 to 80 LED PCB in Zhaga standard - From 3100 to 23000 lm (see attached Deiko datasheet for details on power, light intensity and photometry available). Integrated smart driver (control, automatic adjustment, CLO, graduation via voltage variation, DALI or Zhaga D4i). ULR 0% (LED) (ULR: Upward Light Ratio).

Materials	Tempered glass
Electric class	I and II
Protection index	IP66
Shock resistance	IK08

Operating temperature: -40°C to +35°C (up to +50° under conditions).

04/07/2023 - All informations are subject to change without notice.

Dimensions (mm)



Installation note

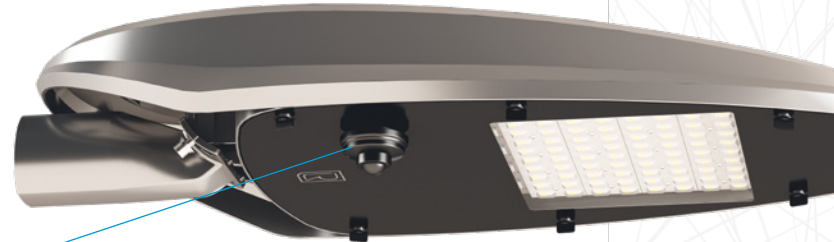
Tilts are possible to adapt the luminaire to different bracket configurations. In order to comply with light pollution control requirements, the inclination of a luminaire should not exceed 20°.

Options

- Pre-wiring.
- Surge protector.
- Zhaga or Nema socket on top of the luminaire to connect OLC or photocell. Zhaga socket at the bottom of the luminaire to add accessories such as sensors.
- Ø34/42/48 with reducing wedge, Ø76 top mounted.
- Backlight control.
- NTC sensor.
- Withholding cablets.



Zhaga socket with communication accessory



Zhaga socket with detection accessory

Ecodesign

Luminaire designed in compliance with the environmental criteria of energy efficiency, recyclability and interoperability.

Associate member of the Zhaga consortium, Ragni integrates electronic elements in this product that comply with the Zhaga standard, which ensures its scalability and interoperability. This luminaire is Zhaga D4i certified.

Member of the Global Compact since 2018, Ragni is committed to working towards the 17 Sustainable Development Goals (SDG 11, 12, 13, 15).

Luminaire guaranteed free of hazardous substances.

Luminaire eligible for the energy savings certificate.

Luminaire compliant with the decree of 27/12/2018 on the prevention, reduction and limitation of light pollution: product configuration to be defined according to the nature of the project.



Applicable standards

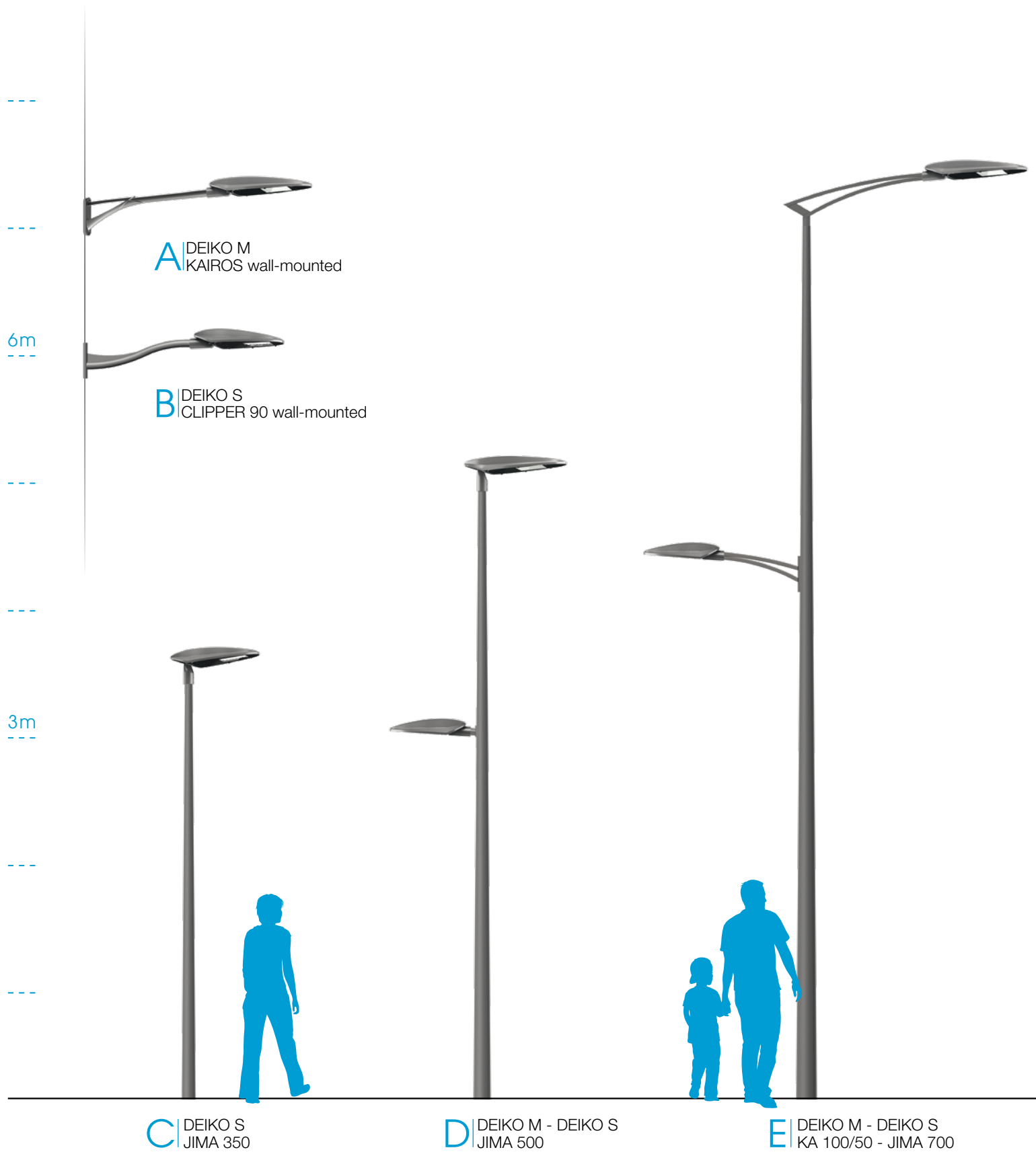
IEC/EN 60598-1 / IEC/EN 60598-2-3 / NF EN 60529 / NF EN 62262 / IEC/EN 55015 / IEC/EN 61547 / IEC/EN 61000-3.2 / IEC/EN 61000-3.3 / IEC/EN 62493 / IEC/EN 62031 / IEC/EN 62471 / IEC/EN 61347-1 / IEC/EN 61347-2-13 / NF EN 13201-3 / NF EN 13201-4 / EN 13032-1+A1 & EN 13032-4 / LM79 / NF EN 12981

04/07/2023 - All informations are subject to change without notice.

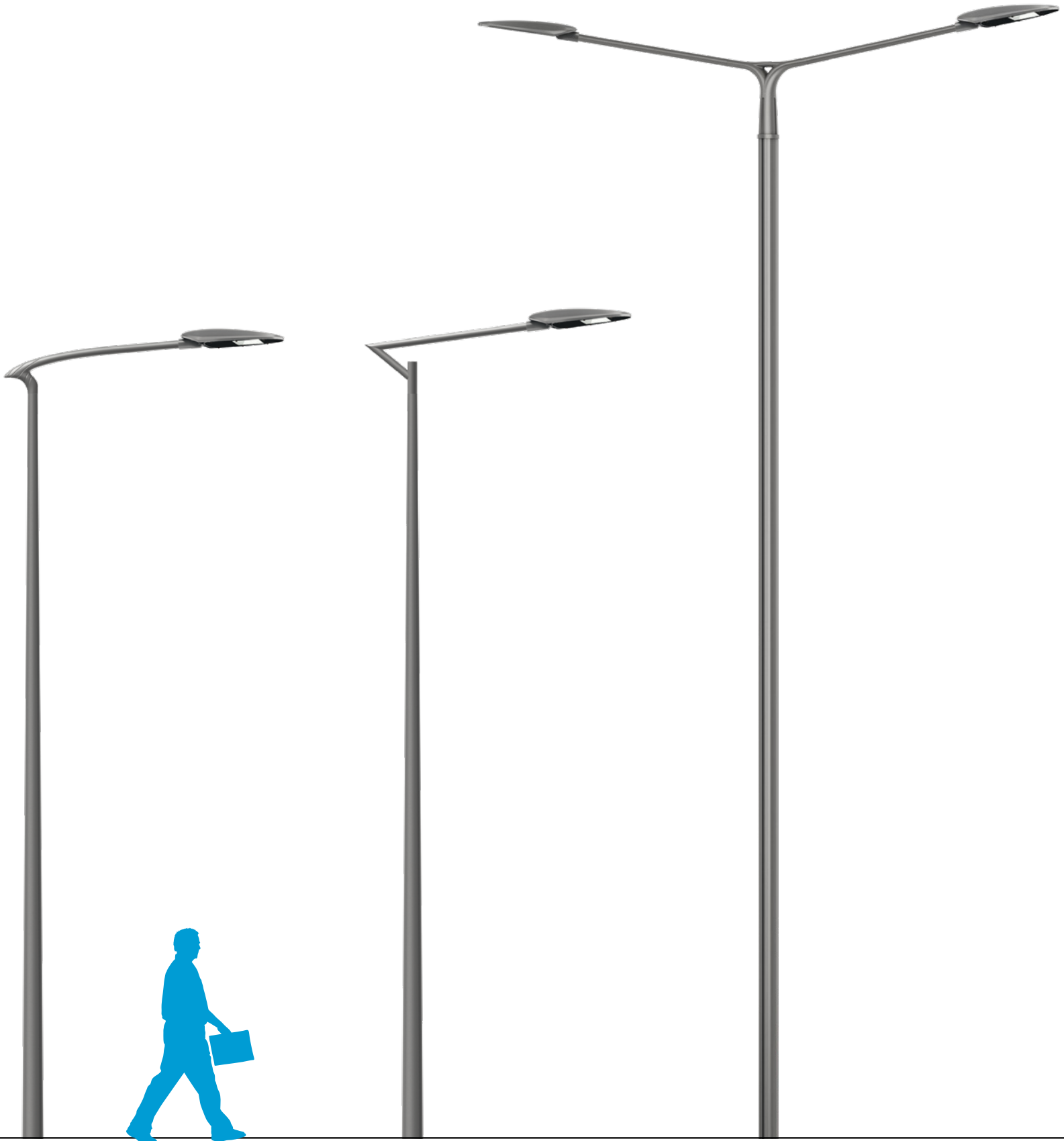
Sets proposals

- **Standard color:** Sanded grey 2900.
- **Option:** other colors on request.

ROAD | DEIKO



DEIKO



F | DEIKO M
EXIS 120 - JAVA 600

G | DEIKO M
POLIS 100 - JIMA 600

H | DEIKO M
ACTI 150 - ELIPTIKA 800

ROAD | DEIKO