

DORIX

BOLLARDS & COLUMNS | DORIX

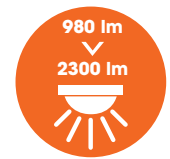


The Dorix recessed light has a square shape. With its sleek appearance, it fits discreetly into the heart of walls and low walls, creating a reassuring light path near pedestrian accesses. Equipped with an aluminum optical unit, a stainless steel front, a bright aluminum reflector and a methacrylate resist protection, it has an overall resistance of IK10 and IP66, making it a reliable anti-vandalism solution. Dorix is equipped with 12 LEDs and allows, via a wide range of color temperatures and its extensive photometric distribution particularly suitable for marking, to precisely meet the lighting needs of the project.

11/04/2022 - All informations are subject to change without notice.



- ▶ **Thin recessed light (70 mm of reservation).**
- ▶ **Refined and discreet shape.**
- ▶ **Creation of coordinated projects in association with the Lumea bollard.**

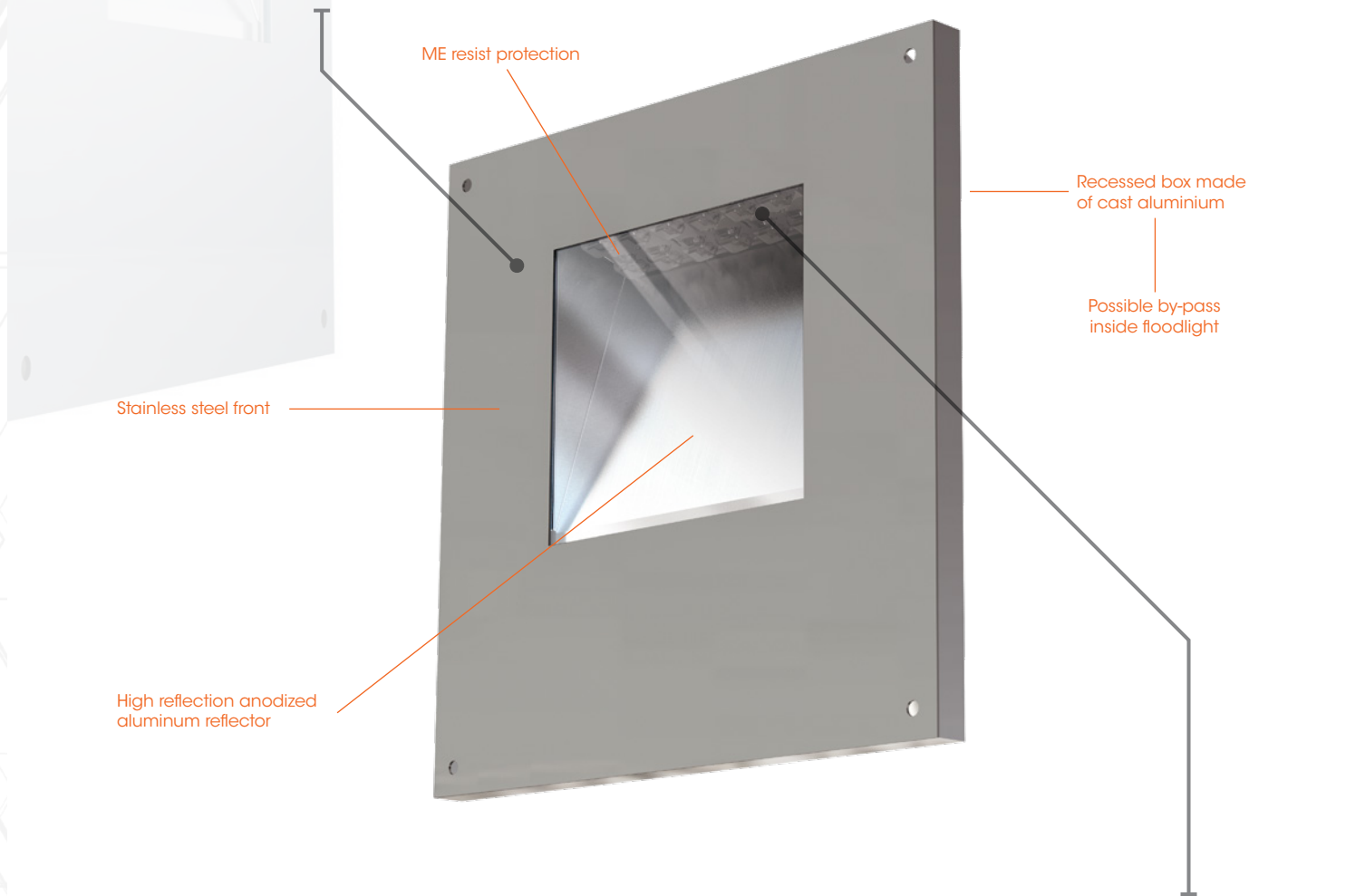


DORIX

RECESSED LIGHT'S SPECIFICATIONS

Recessed light's body & control gear

Weight	3.5 kg
Materials	Stainless steel
Protection index	IP66



Optical unit

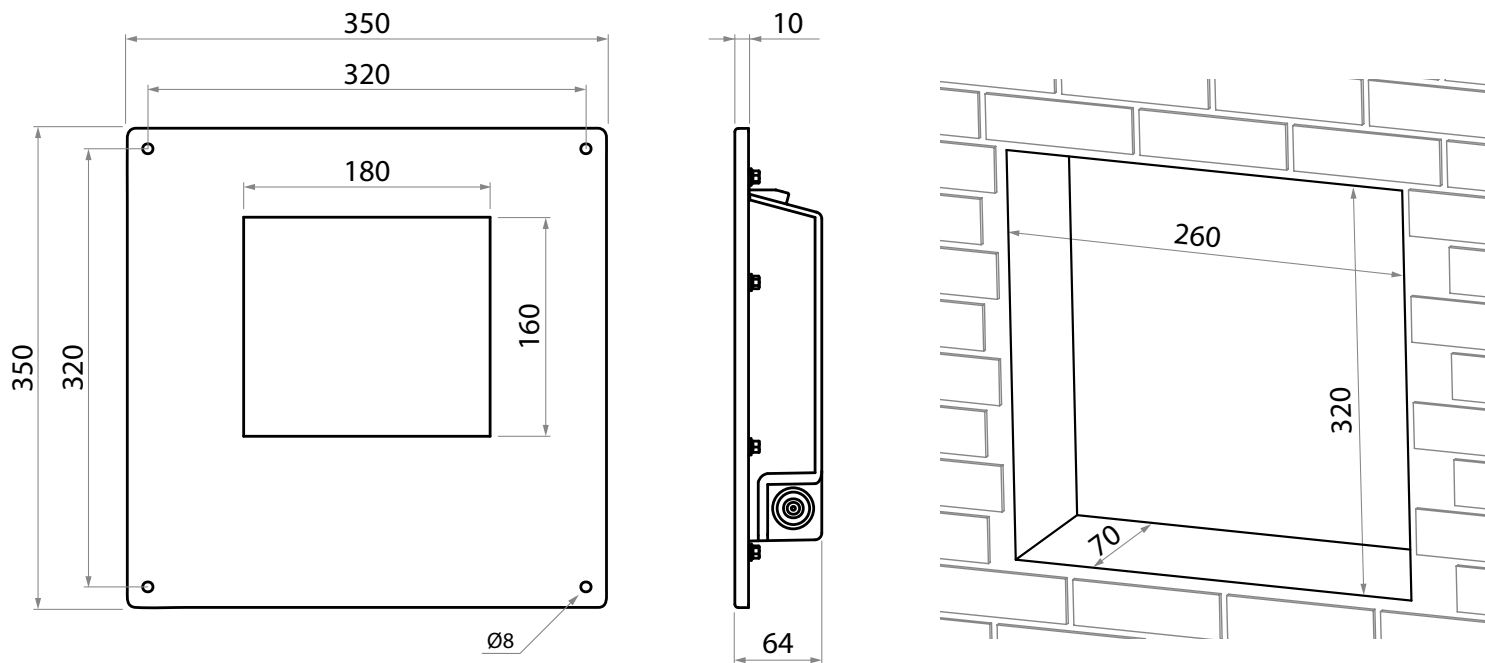
12 LED PCB - From 980 to 2300 lm (see attached Dorix datasheet for details on power, light intensity and photometry available).

Materials	ME resist
Electric class	I and II
Protection index	IP66
Shock resistance	IK10

Operating temperature: -40°C to +35°C (up to +50° under conditions).

11/04/2022 - All informations are subject to change without notice.

Dimensions (mm)



Ecodesign

Luminaire designed in compliance with the environmental criteria of energy efficiency, recyclability and interoperability.

Associate member of the Zhaga consortium, Ragni integrates electronic elements in this product that comply with the Zhaga standard, which ensures its scalability and interoperability.

Member of the Global Compact since 2018, Ragni is committed to working towards the 17 Sustainable Development Goals (SDG 11, 12, 13, 15).

Luminaire guaranteed free of hazardous substances.



Applicable standards

IEC/EN 60598-1 / IEC/EN 60598-2-3 / NF EN 60529 / NF EN 62262 / IEC/EN 55015 / IEC/EN 61547 / IEC/EN 61000-3.2 / IEC/EN 61000-3.3 / IEC/EN 62493 / IEC/EN 62031 / IEC/EN 62471 / IEC/EN 61347-1 / IEC/EN 61347-2-13 / NF EN 13201-3 / NF EN 13201-4 / EN 13032-1+A1 & EN 13032-4 / LM79 / NF EN 12981



11/04/2022 - All informations are subject to change without notice.

www.ragni.com

