

# EMBLÉME





- ▶ **Modern classic esthetic.**
- ▶ **Very functional tool-free opening by trigger on the side of the dome with door retention.**
- ▶ **Easy installation and maintenance.**

Embleme is a decorative light fixture dedicated to residential and ambient lighting. Its shape is inspired by traditional lanterns. With its 4 arms mounting bracket, it has a convex pyramidal dome with 4 sides with integrated hinge. Suspended or top mounted and made of aluminium with a tempered glass protection, it is IP66 and IK08. Embleme accommodate from 8 to 64 LED that provides a wide range of color temperatures and photometrics to precisely meet the lighting needs of the project while ensuring compliance with regulations against light pollution.

\*Regulation specific to France: Decree of 27/12/2018 relating to the prevention, reduction and limitation of light nuisance: product configuration to be defined according to the nature of the project.

27/11/2023 - All informations are subject to change without notice.



# EMBLÈME

## LUMINAIRE'S SPECIFICATIONS

### Luminaire's body

<b>Weight</b>	10.8 kg
<b>Aerodynamic coefficient (C<sub>x</sub>S)</b>	0.107 m <sup>2</sup>
<b>Protection index</b>	IP66
<b>Materials</b>	Aluminium



OXMO fitting painted in the color of the luminaire on suspended version

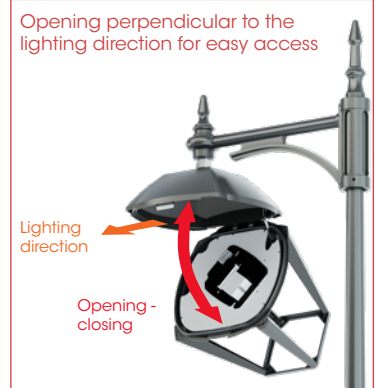


Top mounting bracket



Tool free trigger opening

Standard color: Sanded Grey 2900 or Dark black RAL 9005



Opening perpendicular to the lighting direction for easy access

Lighting direction

Opening - closing

### Optical unit & control gear

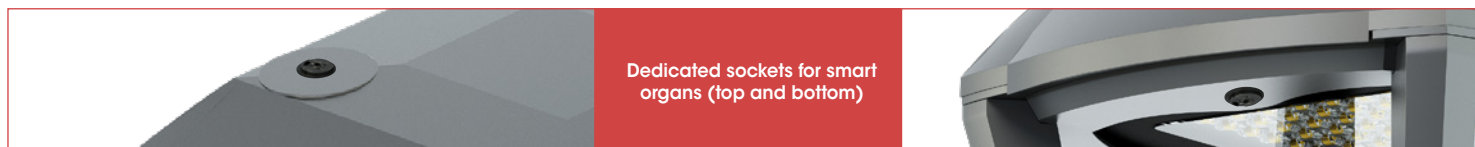
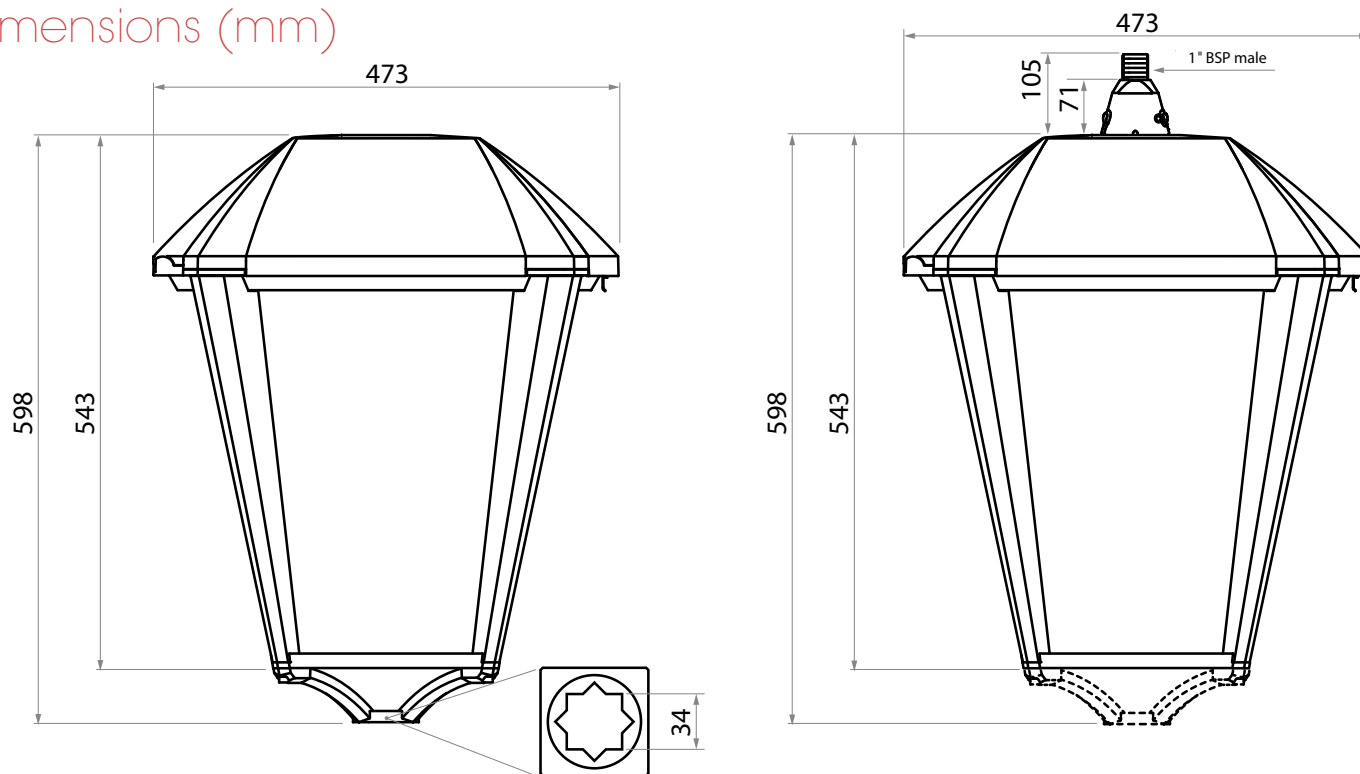
8 to 64 LED PCB in Zhaga standard - From 1000 to 18400 lm (see Emblème attached data sheet for details on power, light intensities and available photometries). Integrated smart driver (control, automatic adjustment, CLO, graduation via voltage variation or DALI). ULR <1% (LED) (ULR: Upward Light Ratio).

<b>Materials</b>	Tempered glass
<b>Electric class</b>	I and II
<b>Protection index</b>	IP66
<b>Shock resistance</b>	IK08

Operating temperature: -40°C to +35°C (up to +50° under conditions).

27/11/2023 - All informations are subject to change without notice.

## Dimensions (mm)



## Options

- Pre-wiring.
- Surge protector.
- Zhaga or Nema socket on top of the luminaire to connect OLC or photocell. Zhaga socket at the bottom of the luminaire to add accessories such as sensors.
- Backlight control.
- NTC sensor.

## Ecodesign

Luminaire designed in compliance with the environmental criteria of energy efficiency, recyclability and interoperability.

Associate member of the Zhaga consortium, Ragni integrates electronic elements in this product that comply with the Zhaga standard, which ensures its scalability and interoperability.

Member of the Global Compact since 2018, Ragni is committed to working towards the 17 Sustainable Development Goals (SDG 11, 12, 13, 15).

Luminaire guaranteed free of hazardous substances.

Luminaire eligible for the energy savings certificate.

Luminaire compliant with the decree of 27/12/2018 on the prevention, reduction and limitation of light pollution: product configuration to be defined according to the nature of the project.



## Applicable standards

IEC/EN 60598-1 / IEC/EN 60598-2-3 / NF EN 60529 / NF EN 62262 / IEC/EN 55015 / IEC/EN 61547 / IEC/EN 61000-3.2 / IEC/EN 61000-3.3 / IEC/EN 62493 / IEC/EN 62031 / IEC/EN 62471 / IEC/EN 61347-1 / IEC/EN 61347-2-13 / NF EN 13201-3 / NF EN 13201-4 / EN 13032-1+A1 & EN 13032-4 / LM79 / NF EN 12981

27/11/2023 - All informations are subject to change without notice.











# Sets proposals

- **Standard color:** Sanded grey 2900 or Dark black RAL 9005
- **Option:** other colors on request.

URBAN | EMBLÈME

8m

6m

4m

2m

A | CADENCE  
wall-mounted

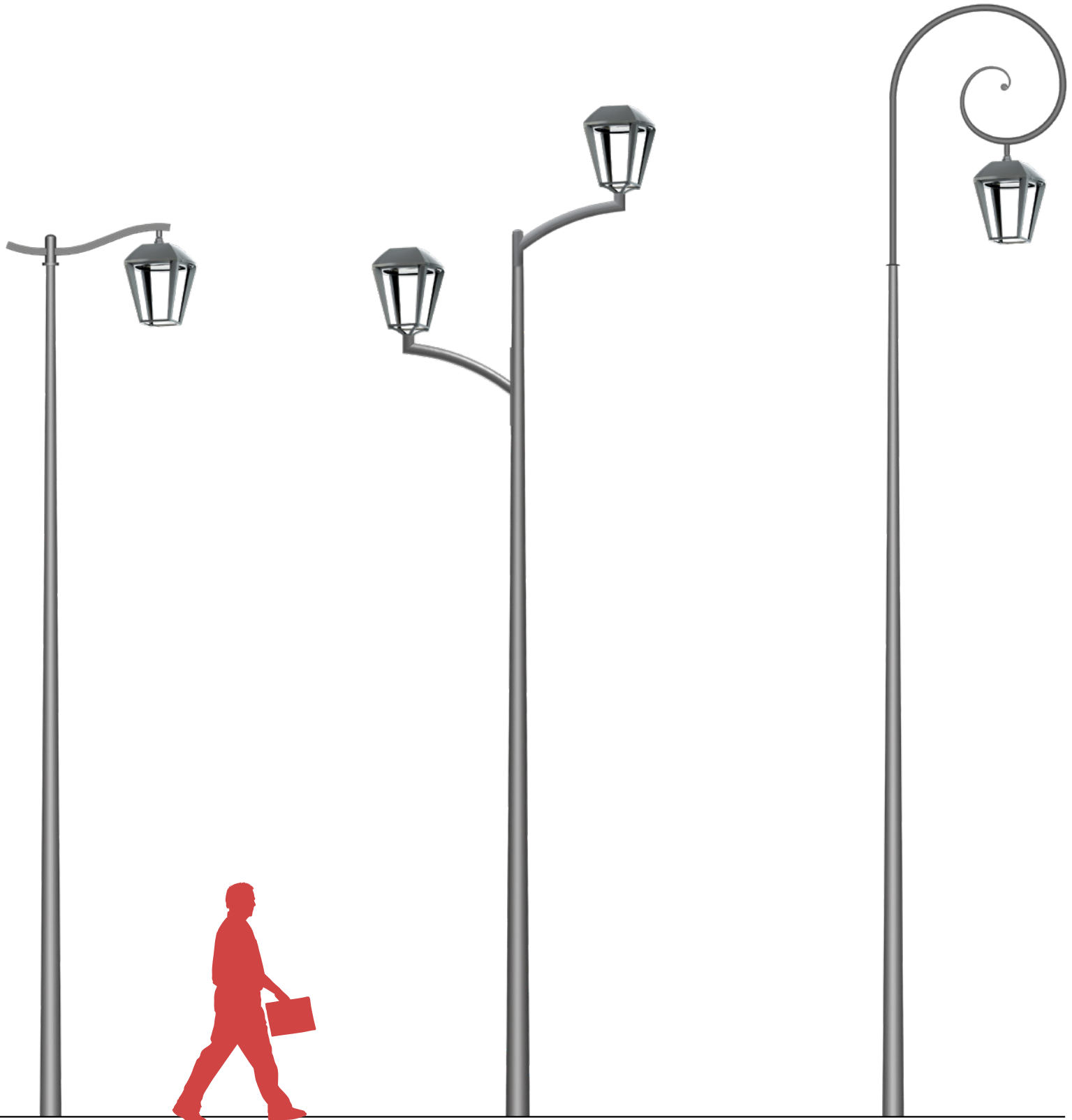
B | THAURIUS  
wall-mounted

C | CAPITOLE 320

D | SORÉA  
JIMA 400

E | JIMA 450

# EMBLÈME



F | THAURIUS  
JIMA 600

G | ATILIS  
HARMO 600

H | ARCADIA  
JIMA 600

URBAN | EMBLÈME