

# OPUS



▶ Numerous variations of the console / luminaire assembly.

▶ Tempered glass protection with silk-screen printing

▶ IP66 double compartment.

Design by  
**STUDIO F·A·PORSCHE**

Opus is a design and functional luminaire with an aluminum body and a tempered glass finish. Its rounded shape gives it a very graphic and assertive aesthetic. Available in 4 variations, it offers an easy access to the device thanks to an opening without tools. The luminaire is equipped with a double compartment separating the electrical equipment and the LED source. It has IK08 tempered glass and IP66 waterproof rating. The LED module is equipped with 8 to 48 LEDs and allows, via a wide range of color temperatures and photometries, to precisely meet the lighting needs of the project while ensuring compliance with the regulations against light pollution.

\*Regulation specific to France: Decree of 27/12/2018 relating to the prevention, reduction and limitation of light nuisance: product configuration to be defined according to the nature of the project.

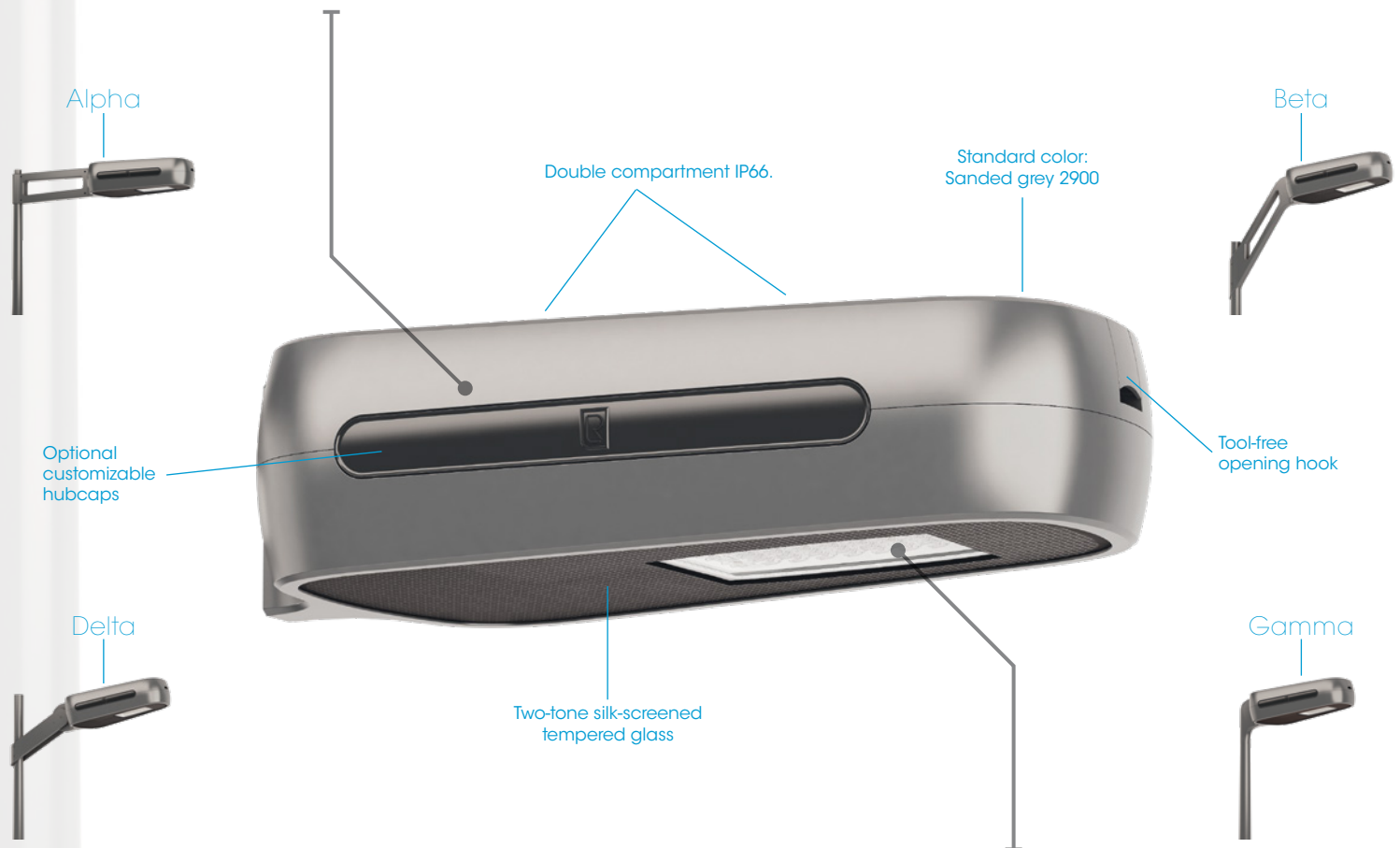
11/04/2022 - All informations are subject to change without notice.

# OPUS

## LUMINAIRE'S SPECIFICATIONS

### Luminaire's body

	Alpha			Beta			Delta			Gamma		
	1	2	M	1	2	M	1	2	M	1	2	M
<b>Number of light M (wall-mounted)</b>												
<b>Weight</b>	19.8 kg	35.2 kg	16.4 kg	22.5 kg	44.3 kg	23 kg	35 kg	66 kg	28 kg	23 kg	32 kg	22 kg
<b>Aerodynamic coefficient (C<sub>xS</sub>)</b>	0.190 m <sup>2</sup>	0.370 m <sup>2</sup>	0.180 m <sup>2</sup>	0.210 m <sup>2</sup>	0.370 m <sup>2</sup>	0.180 m <sup>2</sup>	0.210 m <sup>2</sup>	0.380 m <sup>2</sup>	0.180 m <sup>2</sup>	0.140 m <sup>2</sup>	0.260 m <sup>2</sup>	0.150 m <sup>2</sup>
<b>Protection index</b>	IP66											
<b>Materials</b>	Aluminium											



### Optical unit & control gear

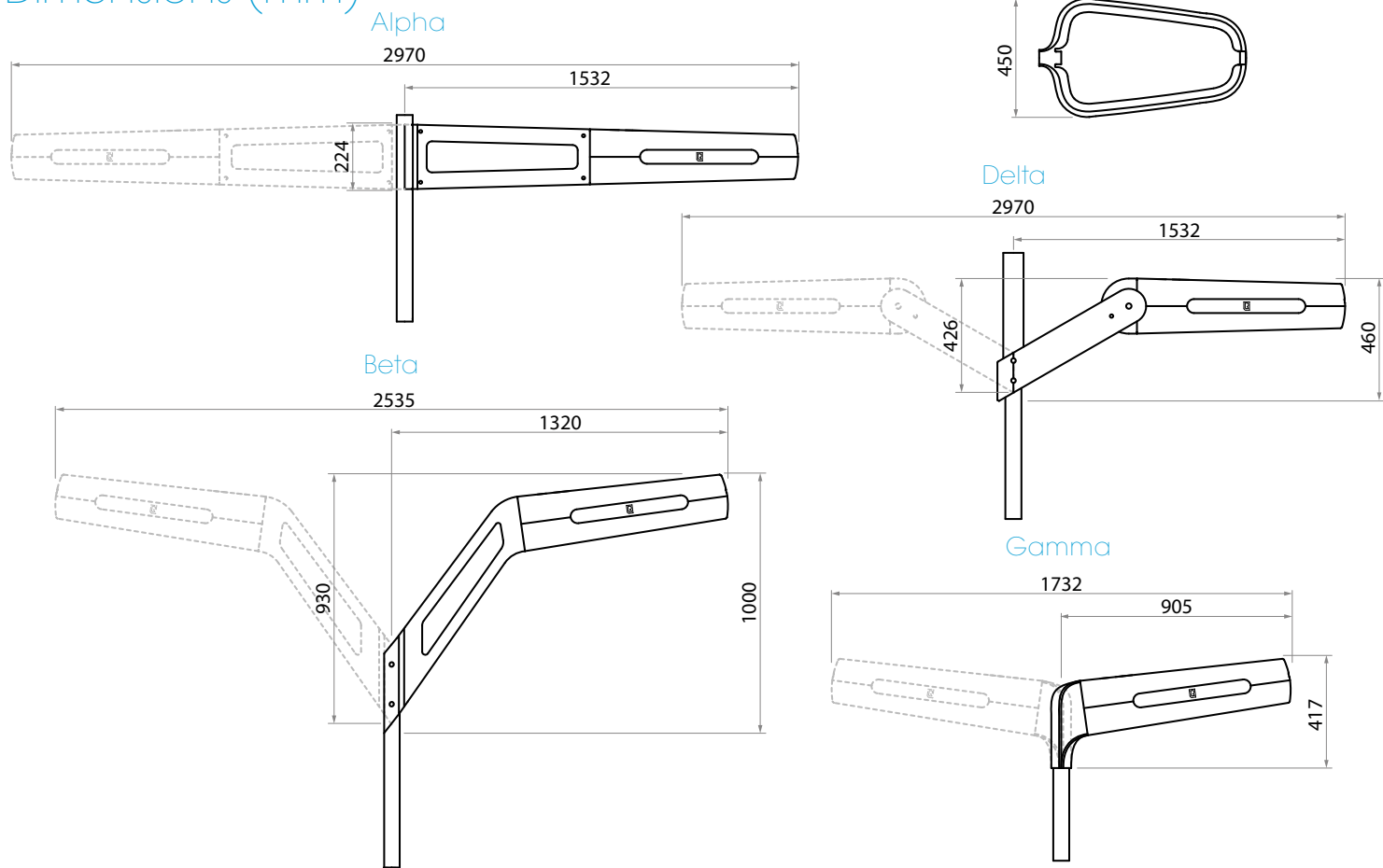
8 to 48 LED module in Zhaga standard - From 970 to 10300 lm (see attached EVO2 datasheet for details on power, light intensity and photometry available). Integrated smart driver (control, automatic adjustment, CLO, graduation via voltage variation or DALI). ULR 0% (LED) (ULR: Upward Light Ratio).

<b>Materials</b>	Tempered glass
<b>Electric class</b>	I and II
<b>Protection index</b>	IP66
<b>Shock resistance</b>	IK08

Operating temperature: -40°C to +35°C (up to +50° under conditions).

11/04/2022 - All informations are subject to change without notice.

## Dimensions (mm)



## Options

- Pre-wiring.
- Surge protector.
- Zhaga or Nema socket on top of the luminaire to connect OLC or photocell.
- Backlight control.
- NTC sensor.
- Custom hubcaps.

## Ecodesign

Luminaire designed in compliance with the environmental criteria of energy efficiency, recyclability and interoperability.

Associate member of the Zhaga consortium, Ragni integrates electronic elements in this product that comply with the Zhaga standard, which ensures its scalability and interoperability.

Member of the Global Compact since 2018, Ragni is committed to working towards the 17 Sustainable Development Goals (SDG 11, 12, 13, 15).

Luminaire guaranteed free of hazardous substances.

Luminaire eligible for the energy savings certificate.

Luminaire compliant with the decree of 27/12/2018 on the prevention, reduction and limitation of light pollution: product configuration to be defined according to the nature of the project.



## Applicable standards

IEC/EN 60598-1 / IEC/EN 60598-2-3 / NF EN 60529 / NF EN 62262 / IEC/EN 55015 / IEC/EN 61547 / IEC/EN 61000-3.2 / IEC/EN 61000-3.3 / IEC/EN 62493 / IEC/EN 62031 / IEC/EN 62471 / IEC/EN 61347-1 / IEC/EN 61347-2-13 / NF EN 13201-3 / NF EN 13201-4 / EN 13032-1+A1 & EN 13032-4 / LM79 / NF EN 12981

11/04/2022 - All informations are subject to change without notice.