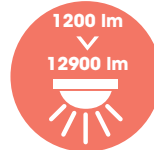


# SLIDE



DESIGN | SLIDE



Slide is a LED luminaire designed for urban or ambiance lighting, with an elongated trapezoidal shape. Entirely made of aluminium, its optical unit receives 8 to 32 LED and is protected by a serigraphed glass IK08 and waterproof IP66. It comes in 5 versions (1, 2 or 4 lights) with an original design. Designed to be positioned parallel to the road, Slide offers an elegant alternative to offset luminaires above the zone to be lit. Each version can provide asymmetrical road or circular lighting.

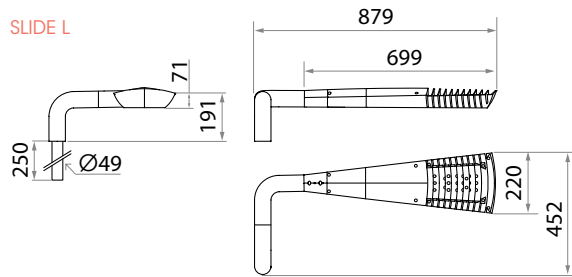
\*Regulation specific to France: Decree of 27/12/2018 relating to the prevention, reduction and limitation of light nuisance: product configuration to be defined ac

11/04/2022 - All informations are subject to change without notice.

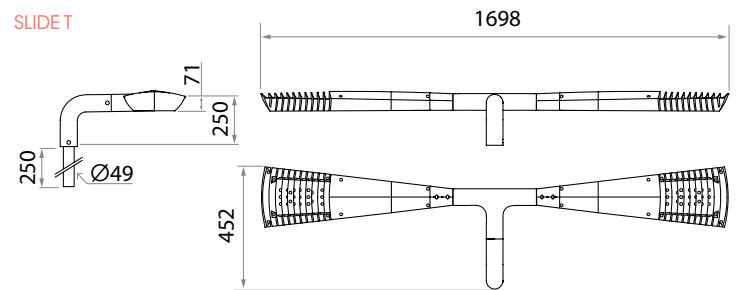


## Dimensions (mm)

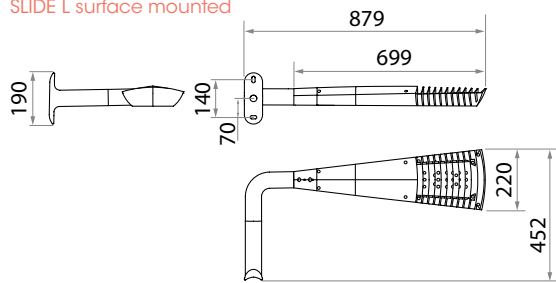
SLIDE L



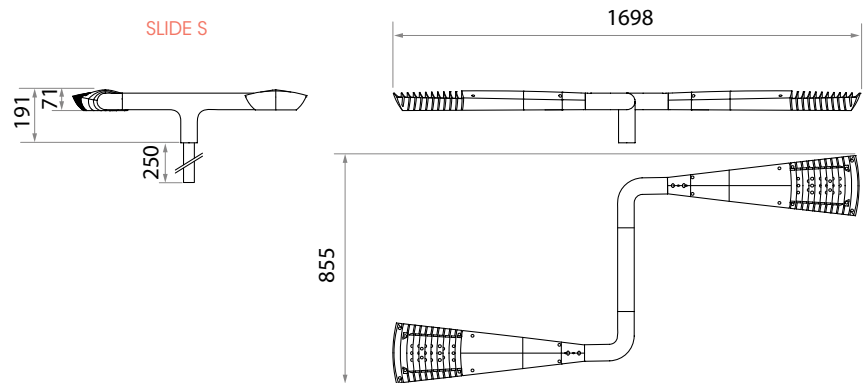
SLIDE T



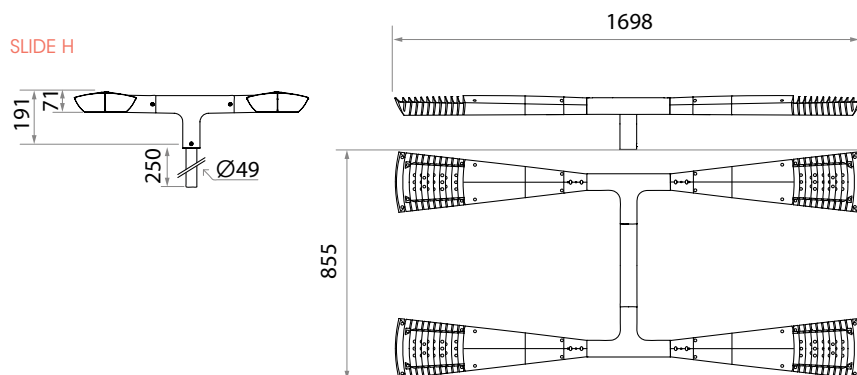
SLIDE L surface mounted



SLIDE S



SLIDE H



# SLIDE

## LUMINAIRE'S SPECIFICATIONS

### Luminaire's body

	L	L surface mounted	T	S	H
<b>Weight</b>	8 kg	7 kg	14 kg	15 kg	27 kg
<b>Aerodynamic coefficient (C<sub>x</sub>S)</b>	0.070 m <sup>2</sup>	0.060 m <sup>2</sup>	0.110 m <sup>2</sup>	0.120 m <sup>2</sup>	0.210 m <sup>2</sup>
<b>Protection index</b>	IP66				
<b>Materials</b>	Aluminium				



### Optical unit & control gear

8 to 32 LED PCB in Zhaga standard - From 1000 to 12900 lm (see attached Griff S datasheet for details on power, light intensity and photometry available). Integrated smart driver (control, automatic adjustment, CLO, graduation via voltage variation or DALI). ULR 0% (ULR: Upward Light Ratio).

<b>Materials</b>	Tempered glass
<b>Electric class</b>	I and II
<b>Protection index</b>	IP66
<b>Shock resistance</b>	IK08

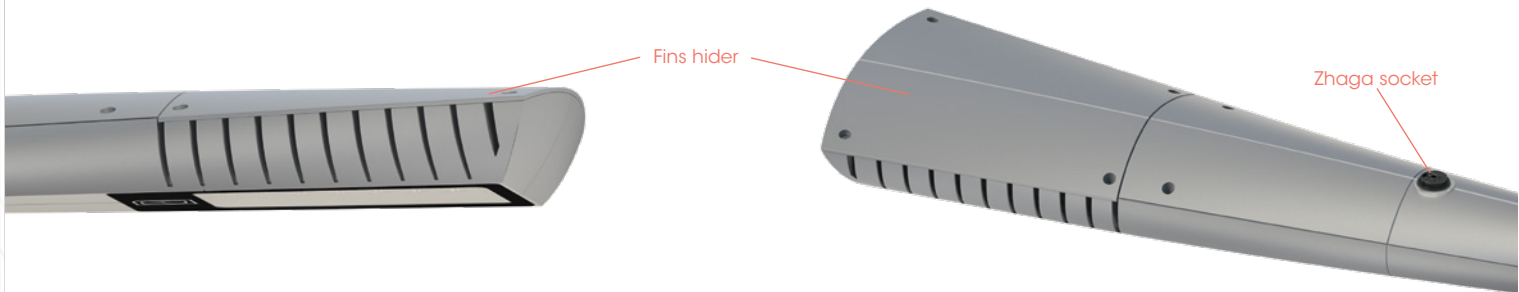
Operating temperature: -40°C to +35°C (up to +50° under conditions).

11/04/2022 - All informations are subject to change without notice.



## Options

- Pre-wiring.
- Surge protector.
- Zhaga or Nema socket on top of the luminaire to connect OLC or photocell. Zhaga socket at the bottom of the luminaire to add accessories such as sensors.
- Backlight control.
- NTC sensor.
- Automatic disconnection when the luminaire is opened.
- Fins hider.



## Ecodesign

Luminaire designed in compliance with the environmental criteria of energy efficiency, recyclability and interoperability.

Associate member of the Zhaga consortium, Ragni integrates electronic elements in this product that comply with the Zhaga standard, which ensures its scalability and interoperability.

Member of the Global Compact since 2018, Ragni is committed to working towards the 17 Sustainable Development Goals (SDG 11, 12, 13, 15).

Luminaire guaranteed free of hazardous substances.

Luminaire eligible for the energy savings certificate.

Luminaire compliant with the decree of 27/12/2018 on the prevention, reduction and limitation of light pollution: product configuration to be defined according to the nature of the project.



## Applicable standards

IEC/EN 60598-1 / IEC/EN 60598-2-3 / NF EN 60529 / NF EN 62262 / IEC/EN 55015 / IEC/EN 61547 / IEC/EN 61000-3.2 / IEC/EN 61000-3.3 / IEC/EN 62493 / IEC/EN 62031 / IEC/EN 62471 / IEC/EN 61347-1 / IEC/EN 61347-2-13 / NF EN 13201-3 / NF EN 13201-4 / EN 13032-1+A1 & EN 13032-4 / LM79 / NF EN 12981

11/04/2022 - All informations are subject to change without notice.